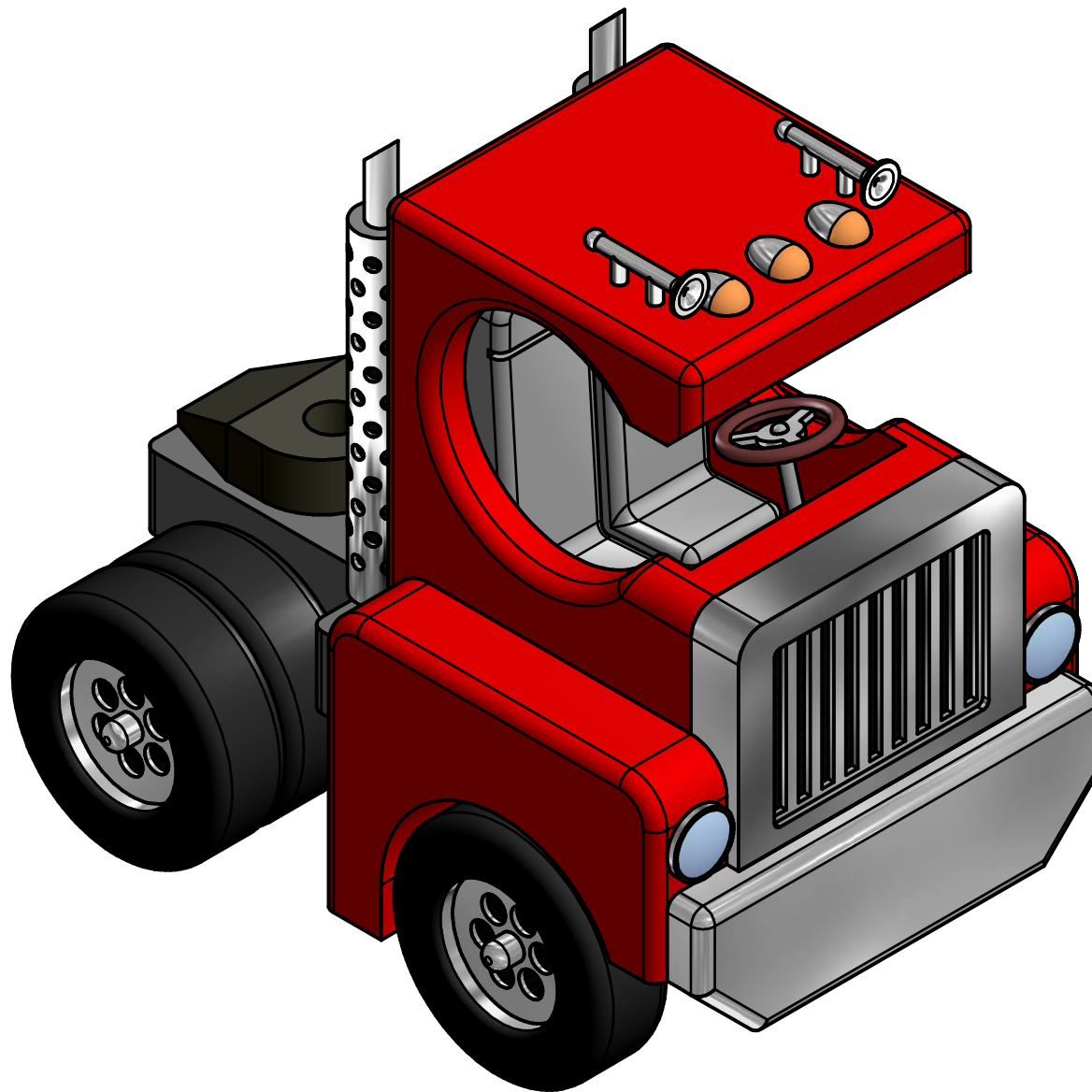


ICAT Engineering Academy		SCHOOL	SCALE:	SCORE:
Nampa School District				
NAME:	DRAWING	DATE	PERIOD	SHEET
COX				
rcox	TRUCK TRAILER DOZER ASSEMBLY.iam	1/17/2011		SHEET 1 OF 25



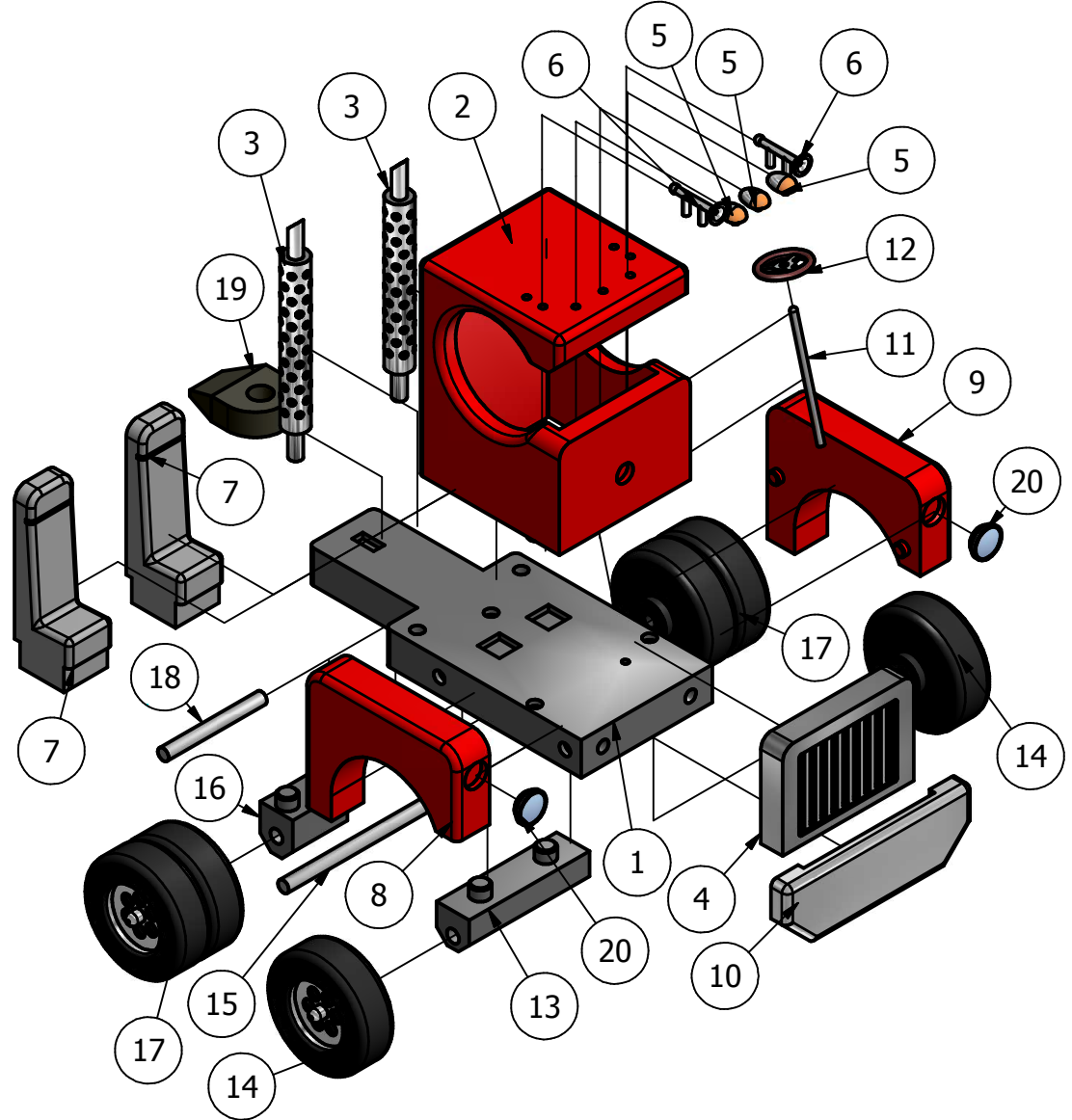
ICAT Engineering Academy Nampa School District		SCHOOL	SCALE:	SCORE:
NAME:	DRAWING	DATE	PERIOD	SHEET
COX rcox	TRUCK ASSEMBLY.iam	11/18/2011		SHEET 2 OF 25

2



1

PARTS LIST		
ITEM	QTY	PART NUMBER
1	1	TRUCK FRAME
2	1	TRUCK CAB
3	2	TRUCK EXHAUST STACK
4	1	TRUCK GRILL
5	3	ROOF LIGHT
6	2	HORN
7	2	TRUCK SEAT
8	1	TRUCK RIGHT FENDER
9	1	TRUCK LEFT FENDER
10	1	TRUCK BUMPER
11	1	TRUCK STEERING COLUMN
12	1	TRUCK STEERING WHEEL
13	1	TRUCK FRONT WHEEL BLOCK
14	2	TRUCK FRONT WHEEL
15	1	TRUCK FRONT AXEL
16	1	TRUCK REAR WHEEL BLOCK
17	2	TRUCK REAR WHEEL
18	1	TRUCK REAR AXEL
19	1	TRUCK 5TH WHEEL
20	2	TRUCK HEADLIGHT



B

B



A

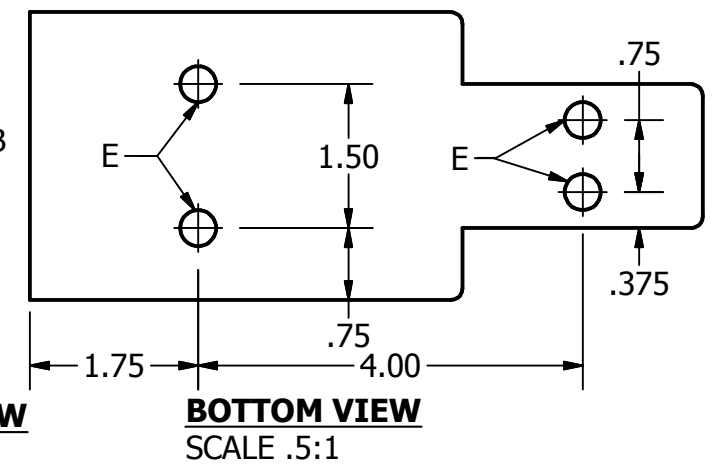
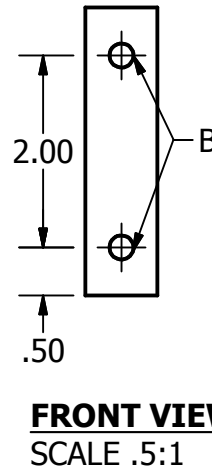
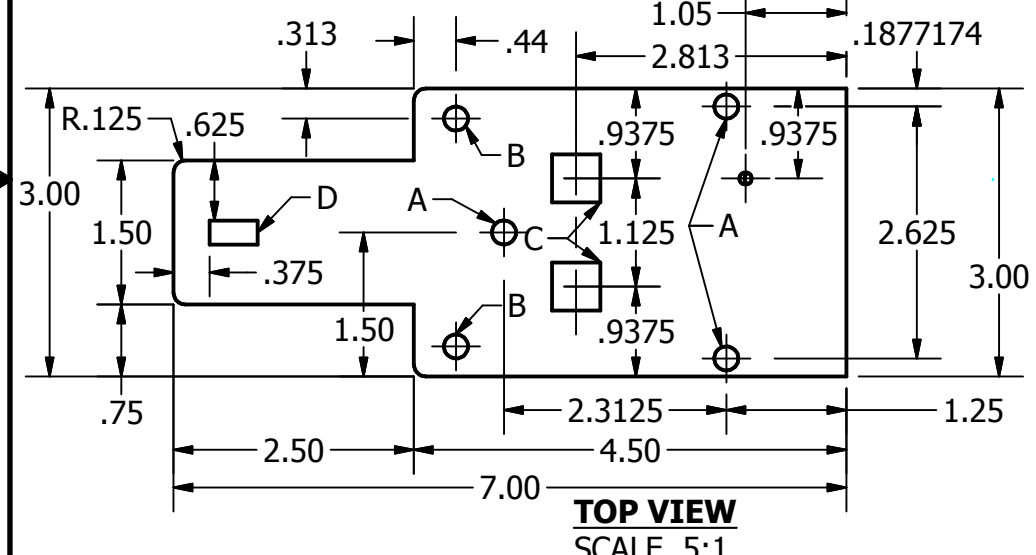
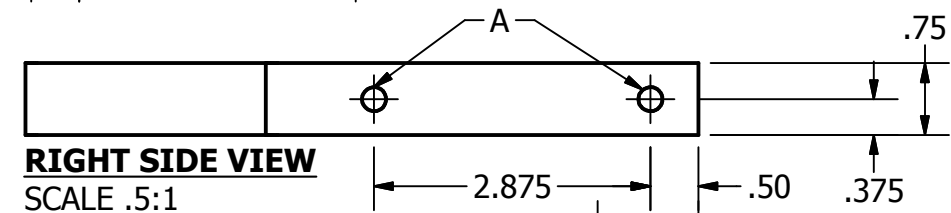
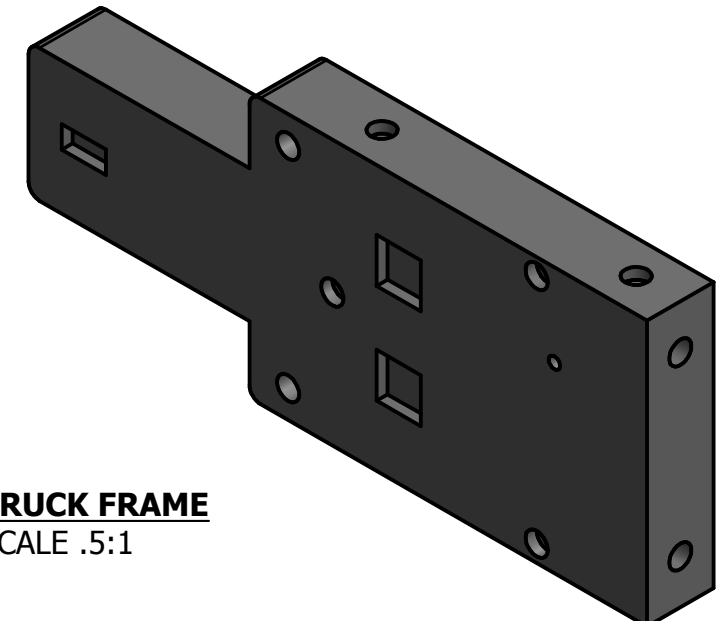
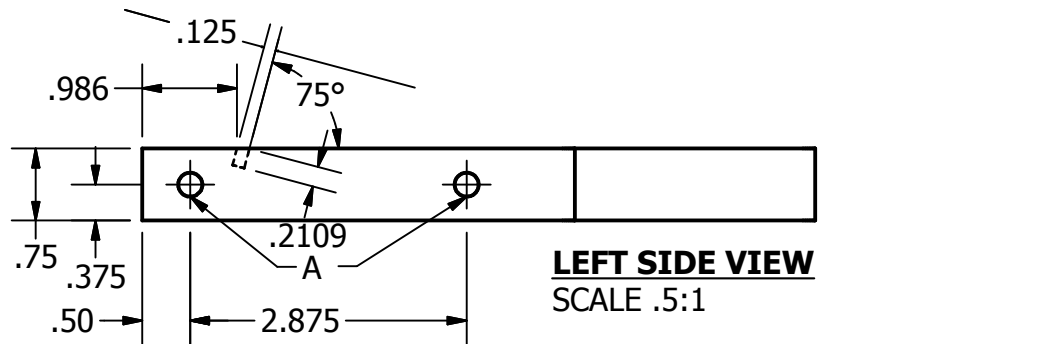
A

ICAT Engineering Academy Nampa School District		SCHOOL	SCALE:	SCORE:
NAME:	DRAWING	DATE	PERIOD	SHEET
COX rcOX	TRUCK ASSEMBLY.iam	11/18/2011		SHEET 3 OF 25

2

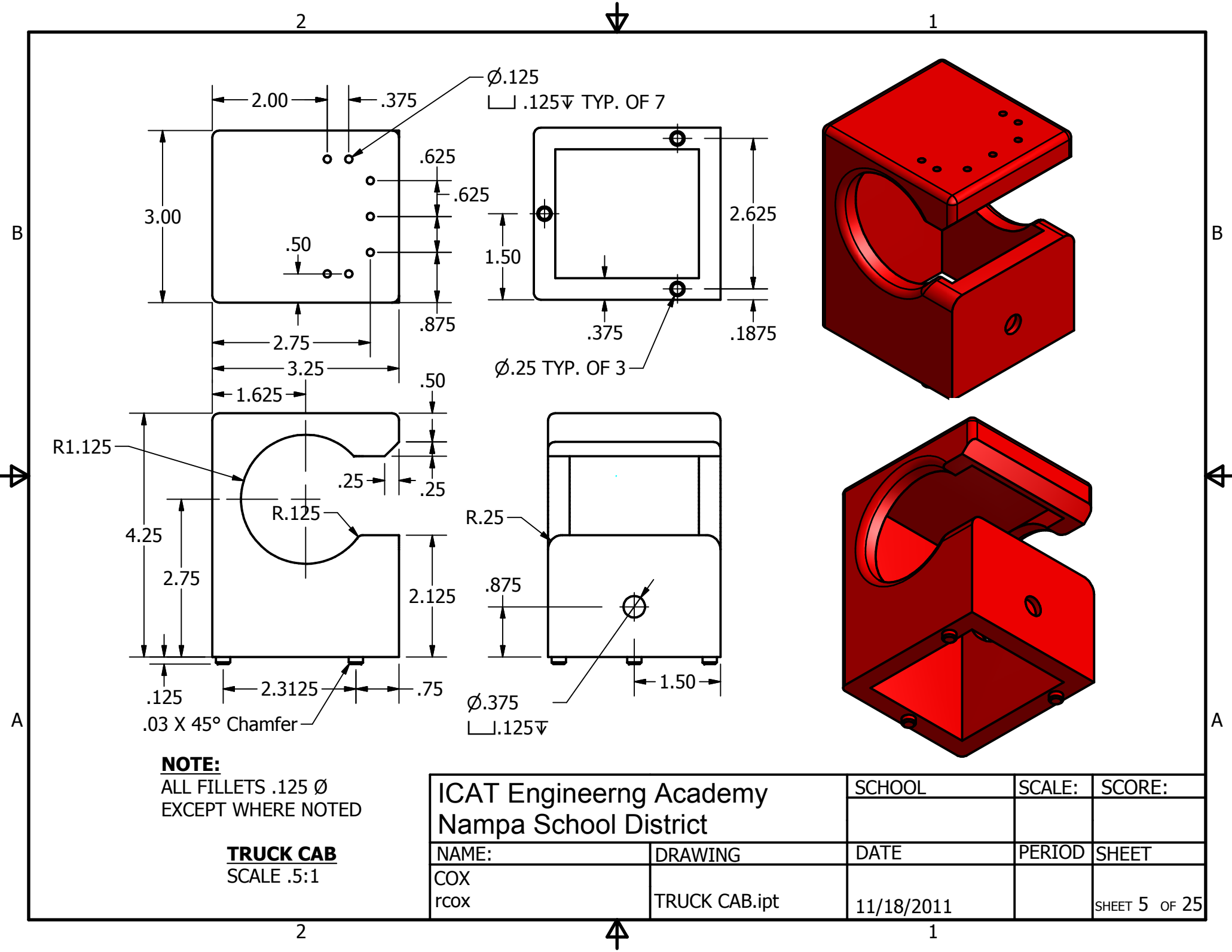


1



HOLE SCHEDULE		
Column 1 HOLE	Column 2 SIZE	Column 3 DEPTH
A	.25 DIA.	.125
B	.25 DIA.	.25
C	.5x.5	.125
D	.5x.25	.125
E	.375 DIA.	.25

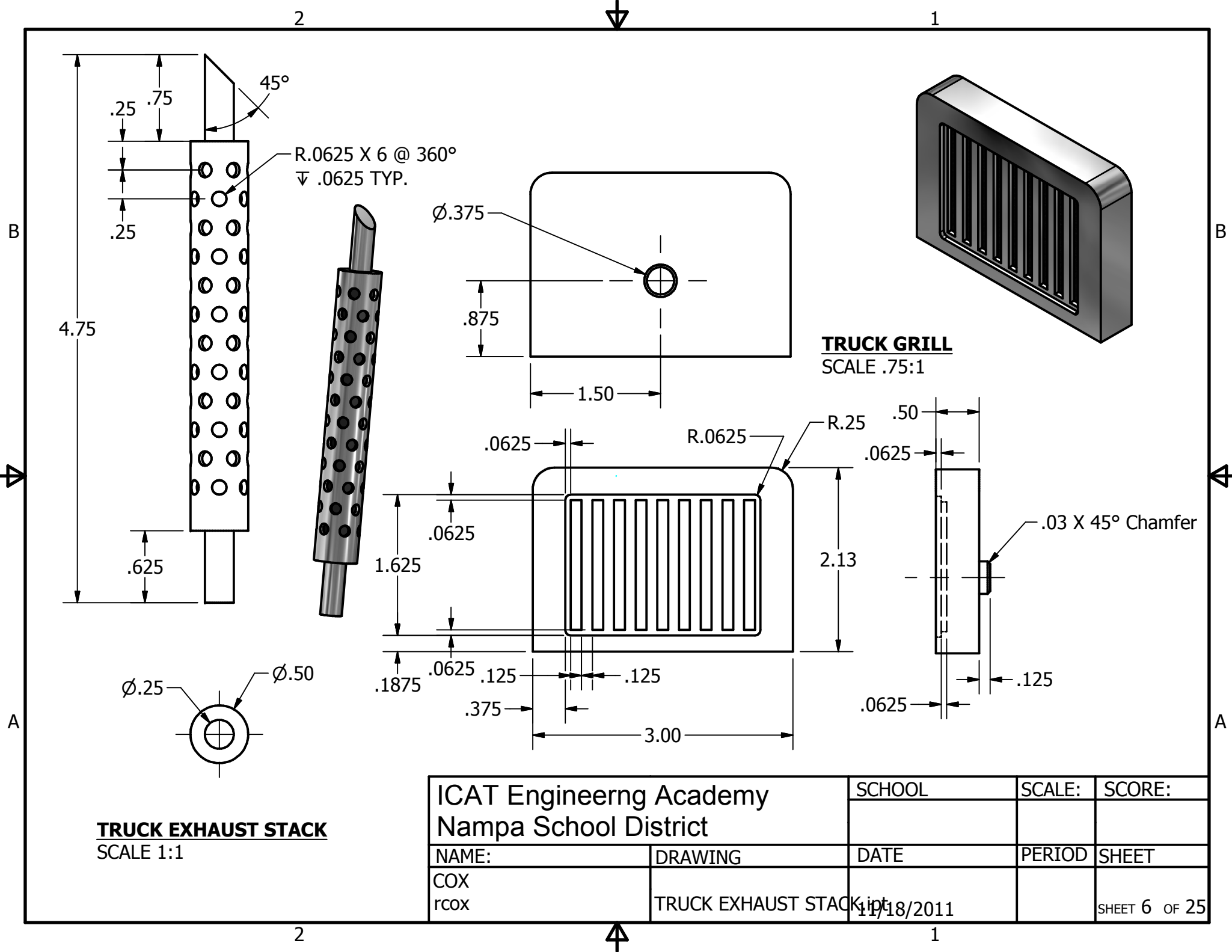
ICAT Engineering Academy Nampa School District		SCHOOL	SCALE:	SCORE:
		NAME:	DATE	PERIOD
COX rcox	TRUCK FRAME.ipt	11/18/2011		SHEET 4 OF 25



NOTE:
 ALL FILLETS $.125 \varnothing$
 EXCEPT WHERE NOTED

TRUCK CAB
 SCALE .5:1

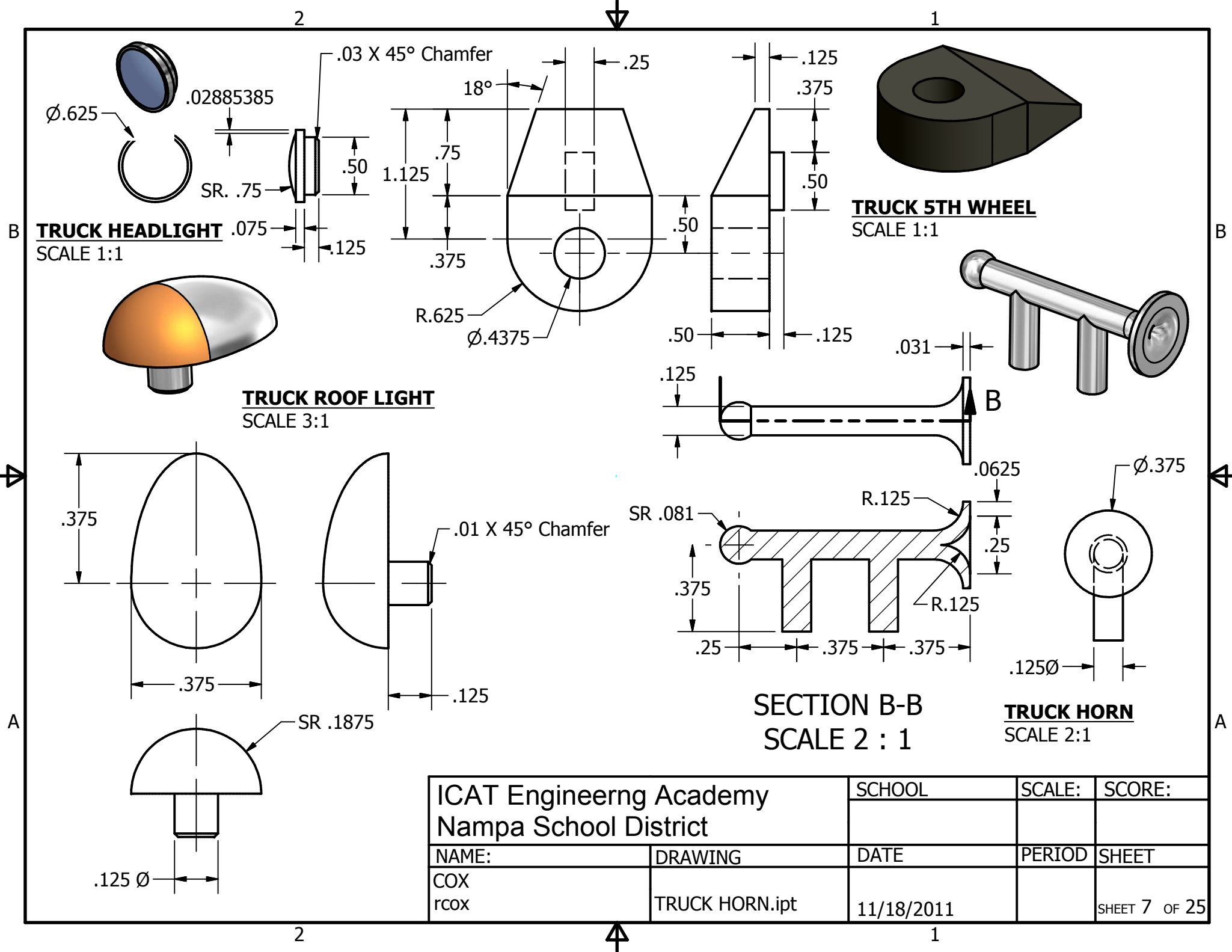
ICAT Engineering Academy Nampa School District		SCHOOL	SCALE:	SCORE:
NAME:	DRAWING	DATE	PERIOD	SHEET
COX rcox	TRUCK CAB.ipt	11/18/2011		SHEET 5 OF 25



TRUCK EXHAUST STACK
SCALE 1:1

TRUCK GRILL
SCALE .75:1

ICAT Engineering Academy Nampa School District		SCHOOL	SCALE:	SCORE:
NAME:	DRAWING	DATE	PERIOD	SHEET
COX rcox	TRUCK EXHAUST STACK.dwg	11/18/2011		SHEET 6 OF 25



TRUCK HEADLIGHT
SCALE 1:1

TRUCK ROOF LIGHT
SCALE 3:1

TRUCK 5TH WHEEL
SCALE 1:1

SECTION B-B
SCALE 2 : 1

TRUCK HORN
SCALE 2:1

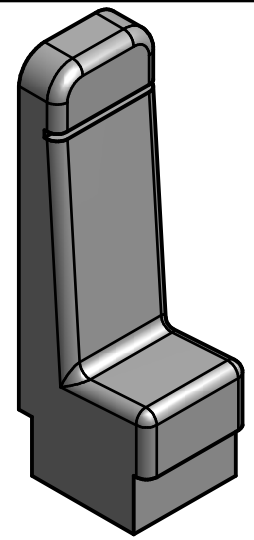
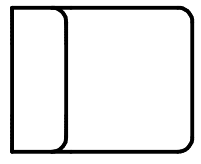
ICAT Engineering Academy Nampa School District		SCHOOL	SCALE:	SCORE:
NAME:	DRAWING	DATE	PERIOD	SHEET
COX rcox	TRUCK HORN.ipt	11/18/2011		SHEET 7 OF 25

2

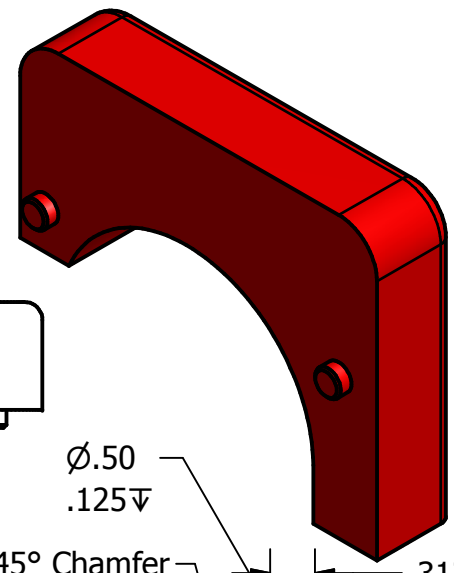


1

TRUCK SEAT SCALE .75:1



TRUCK RIGHT FENDER SCALE .75:1 MIRROR FOR LEFT FENDER

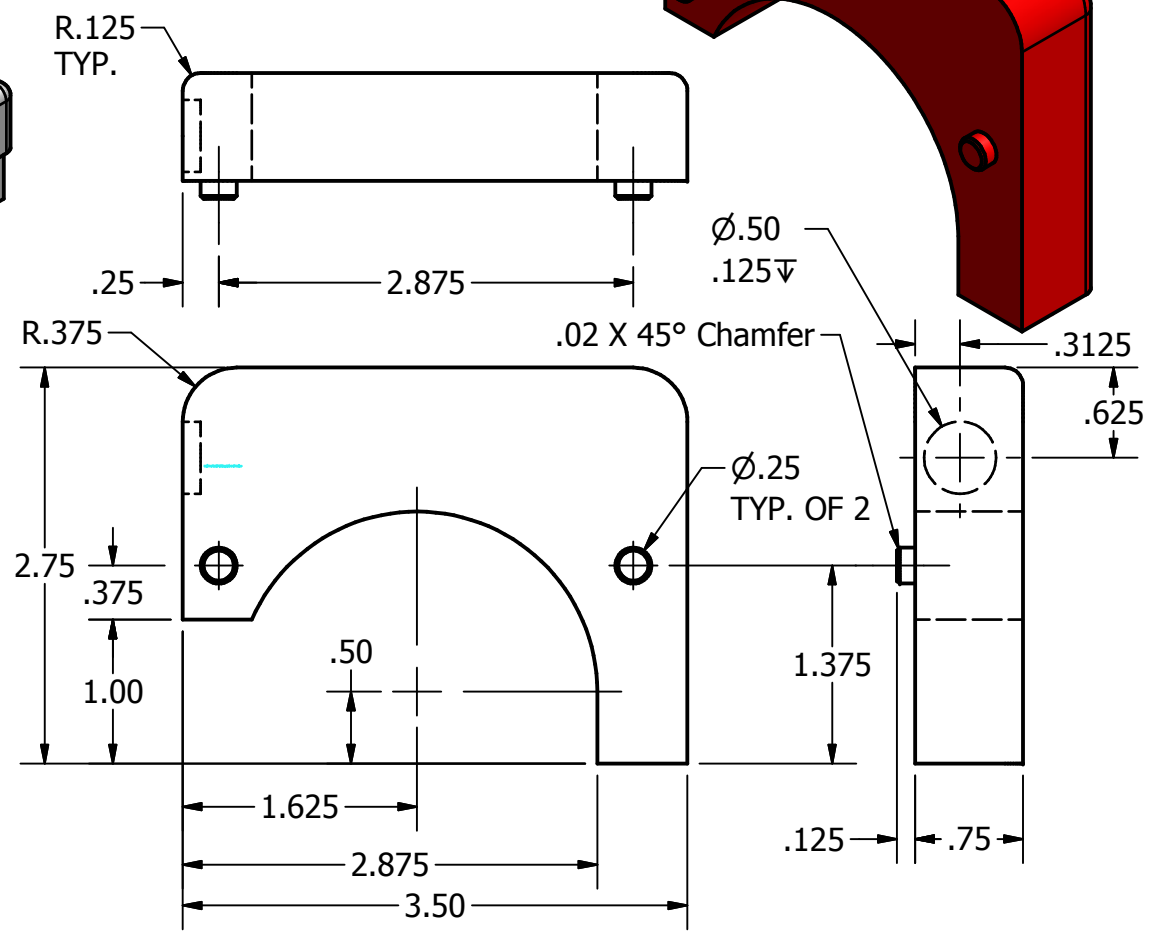
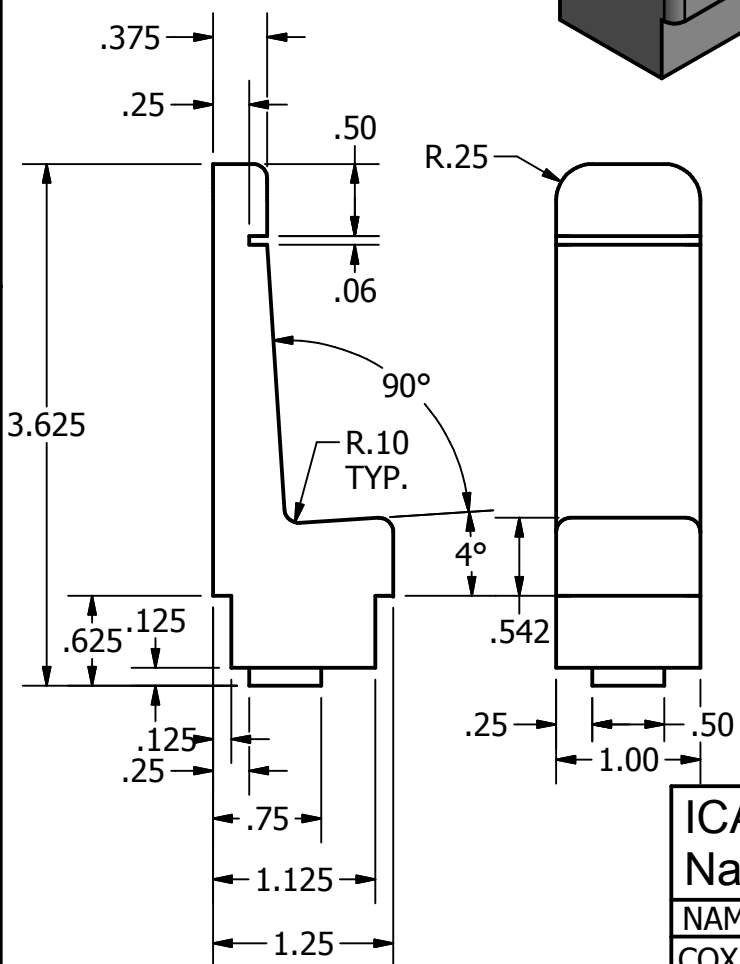


B

B

A

A



ICAT Engineering Academy Nampa School District		SCHOOL	SCALE:	SCORE:
NAME:	DRAWING	DATE	PERIOD	SHEET
COX rcox	TRUCK SEAT.ipt	11/18/2011		SHEET 8 OF 25

2



1

2



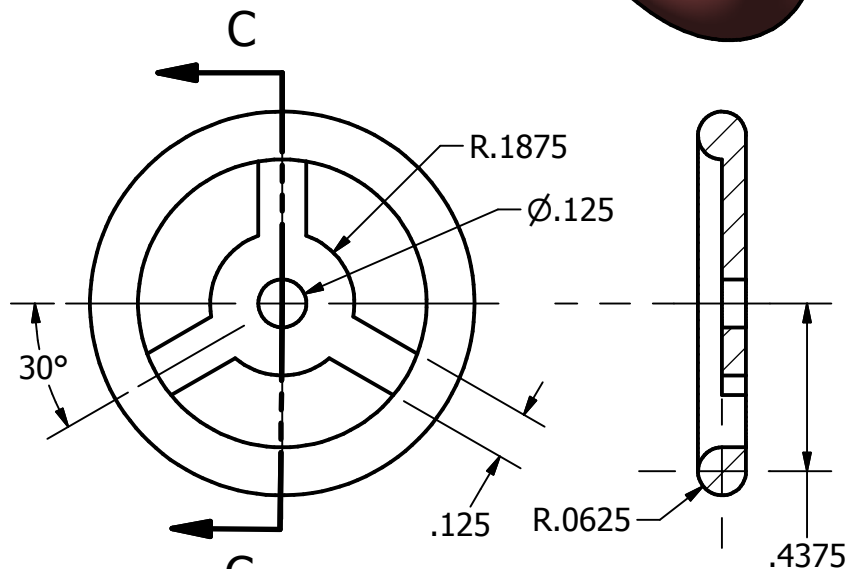
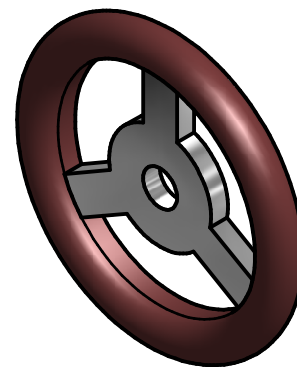
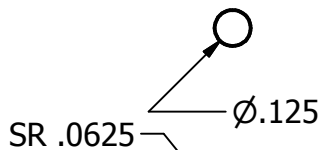
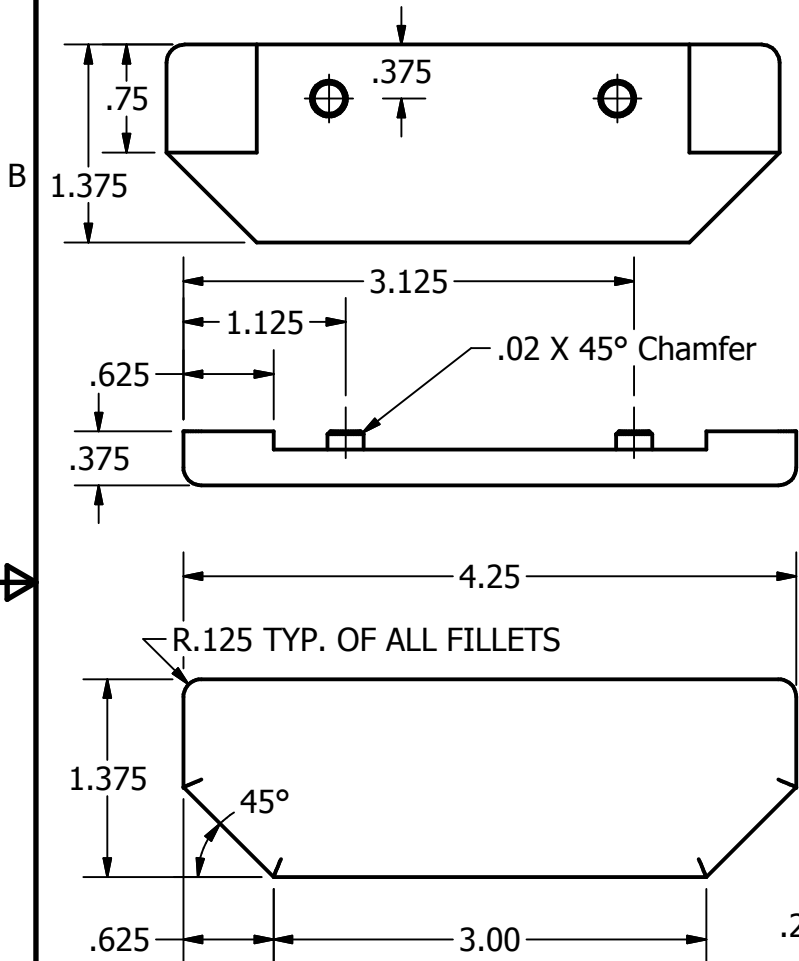
1

TRUCK BUMPER

SCALE .75:1

TRUCK STEERING COLUMN

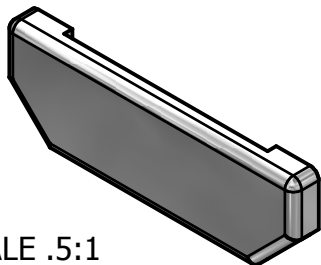
SCALE 1.5:1



TRUCK STEERING WHEEL

SCALE 2:1

SECTION C-C
SCALE 2 : 1



SCALE .5:1

ICAT Engineering Academy		SCHOOL	SCALE:	SCORE:
Nampa School District				
NAME:	DRAWING	DATE	PERIOD	SHEET
COX rcox	TRUCK BUMPER.ipt	11/18/2011		SHEET 9 OF 25

2

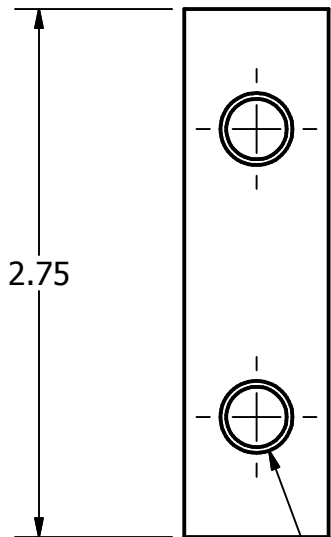


1

2



1

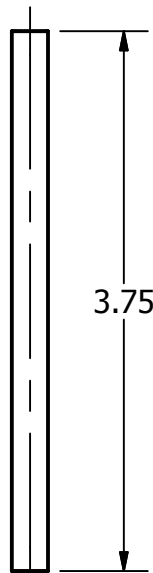


TRUCK FRONT AXEL

SCALE .75:1

2.75

Ø.375 TYP. OF 2

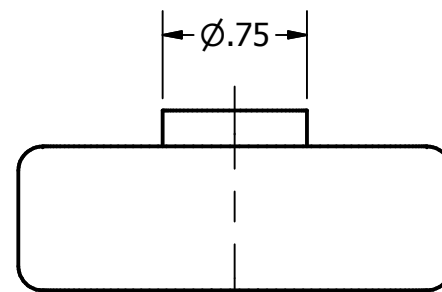


3.75

Ø.25

TRUCK FRONT WHEEL

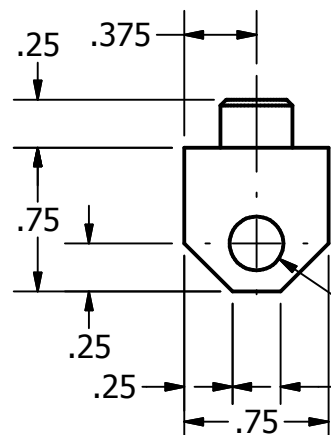
SCALE 1:1



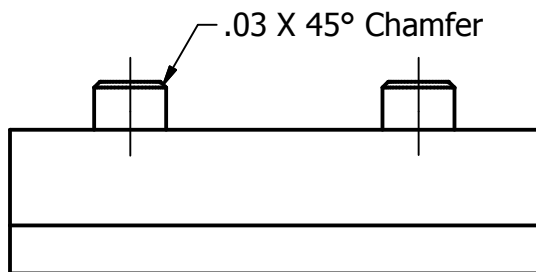
Ø.75



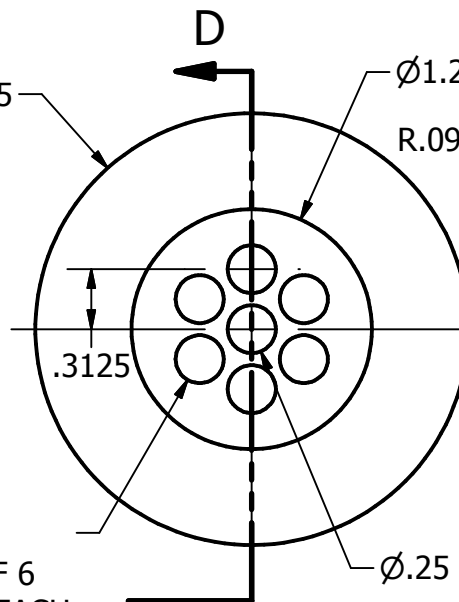
SCALE .75:1



Ø.28 THRU HOLE



.03 X 45° Chamfer



Ø2.25

Ø1.25

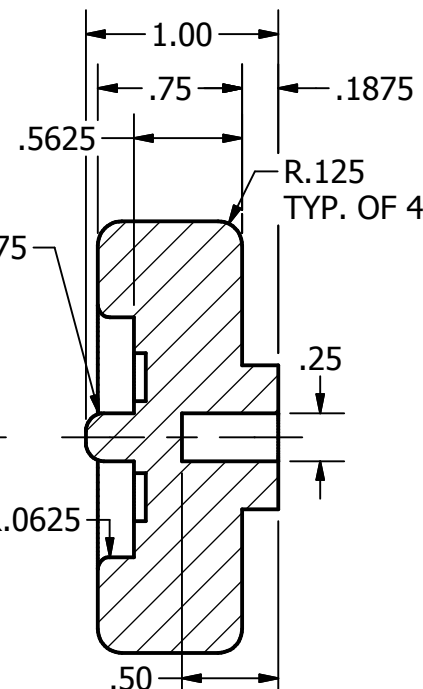
R.09375

.3125

Ø.25
TYP. OF 6
@ 60° EACH

.0625

R.0625



.5625

.75

.1875

R.125
TYP. OF 4

.25

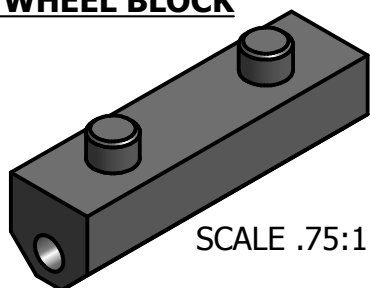
.50

SECTION D-D

SCALE 1 : 1

TRUCK FRONT WHEEL BLOCK

SCALE 1:1



SCALE .75:1

ICAT Engineering Academy
Nampa School District

SCHOOL

SCALE:

SCORE:

NAME:
COX
rcox

DRAWING
TRUCK FRONT WHEEL BLOCK

DATE
11/18/2011

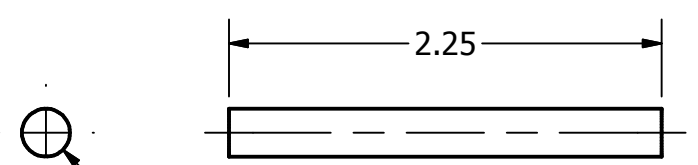
PERIOD

SHEET
SHEET 10 OF 25

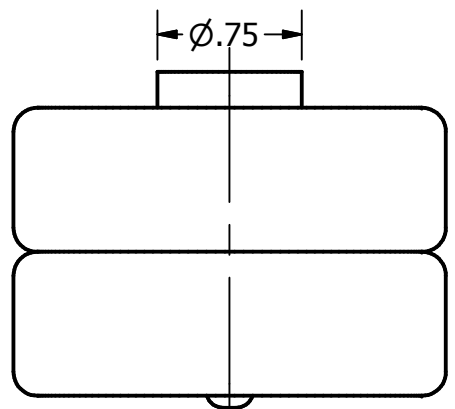
2



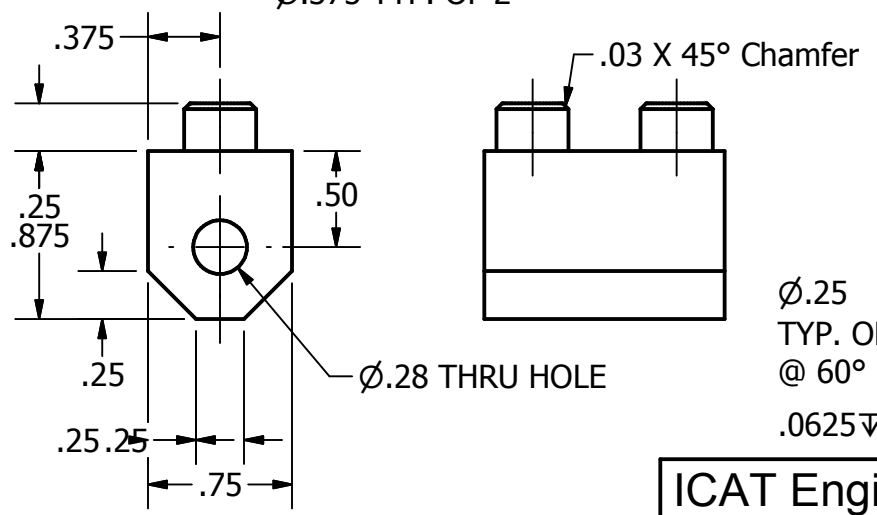
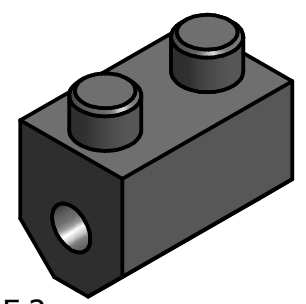
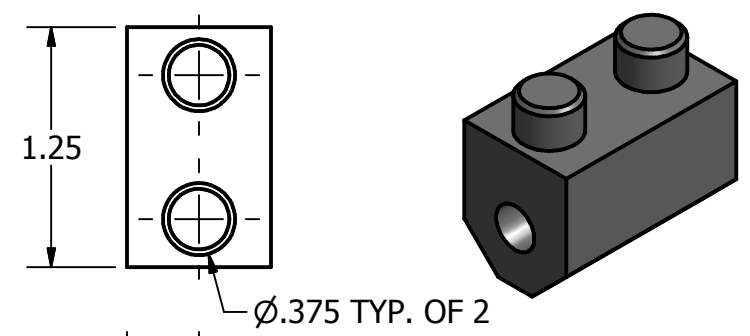
1



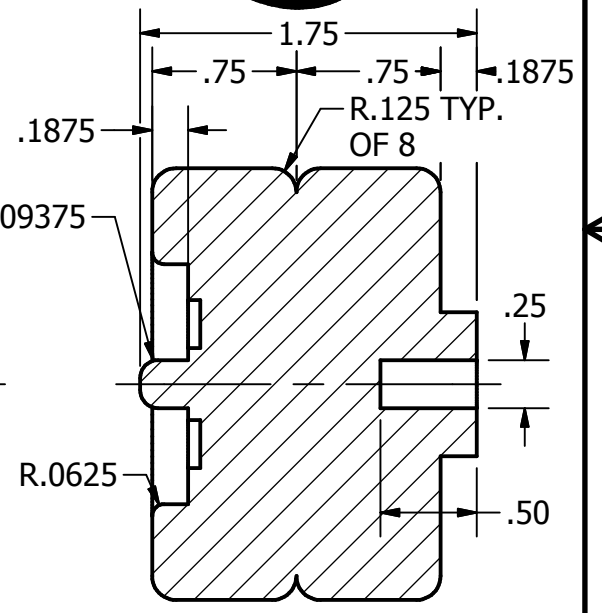
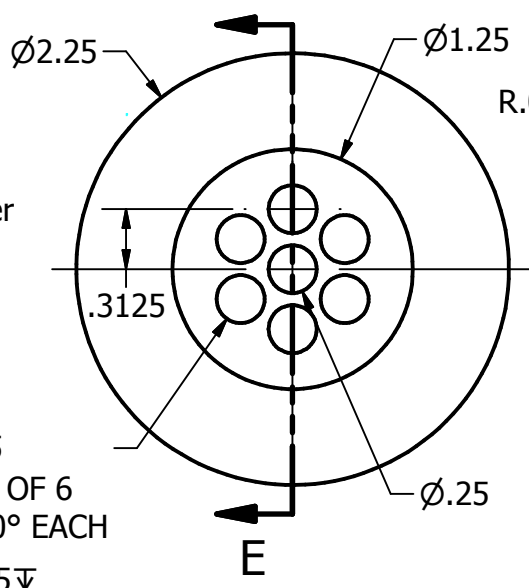
TRUCK REAR AXEL
SCALE 1:1



TRUCK REAR WHEEL
SCALE 1:1

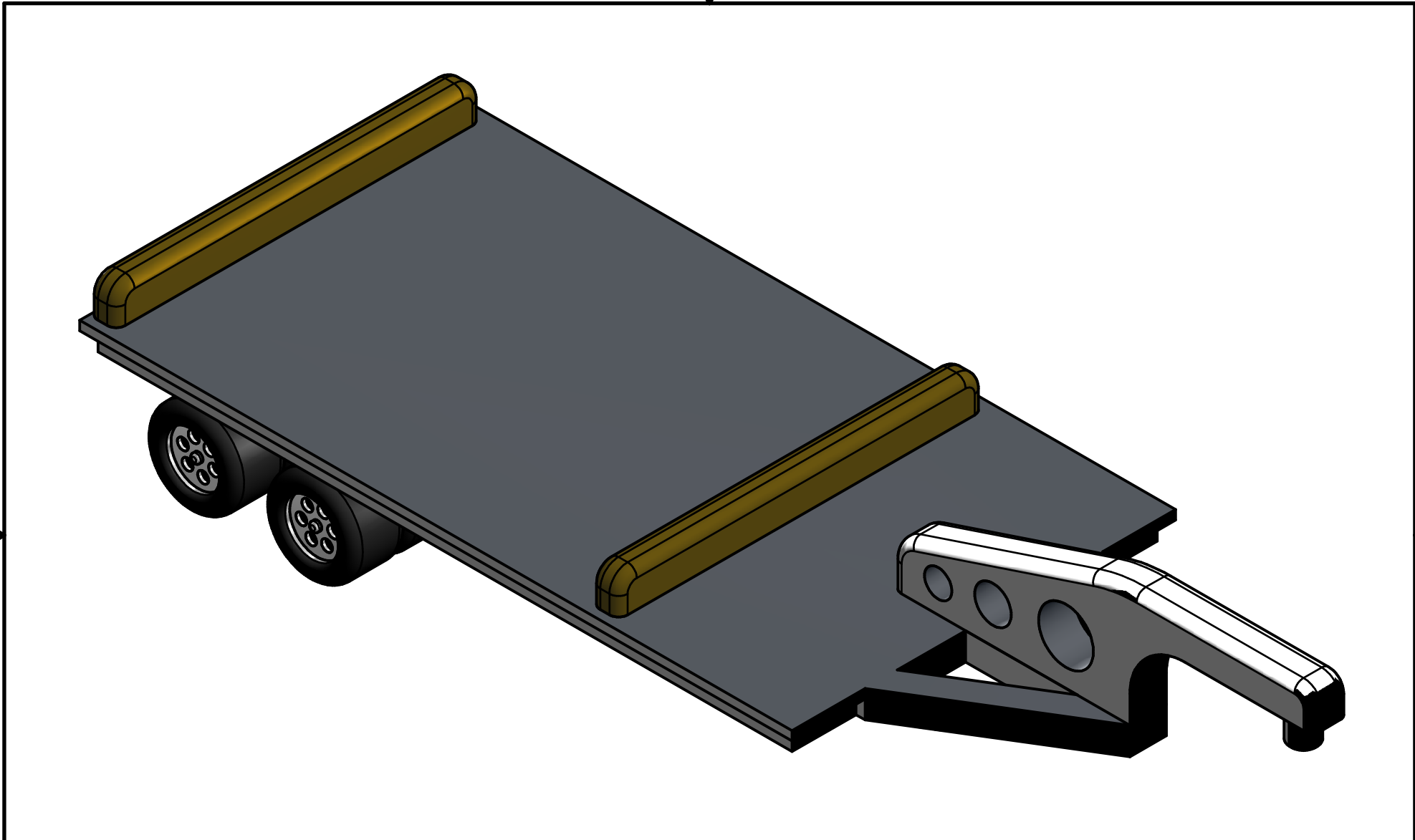


TRUCK REAR WHEEL BLOCK
SCALE 1:1



SECTION E-E
SCALE 1 : 1

ICAT Engineering Academy Nampa School District		SCHOOL	SCALE:	SCORE:
NAME:	DRAWING	DATE	PERIOD	SHEET
COX rcox	TRUCK REAR WHEEL.ipt	11/18/2011		SHEET 11 OF 25



ICAT Engineering Academy		SCHOOL	SCALE:	SCORE:
Nampa School District				
NAME:	DRAWING	DATE	PERIOD	SHEET
COX rcOX	TRAILER ASSEMBLY.iam	11/17/2011		SHEET 12 OF 25

2

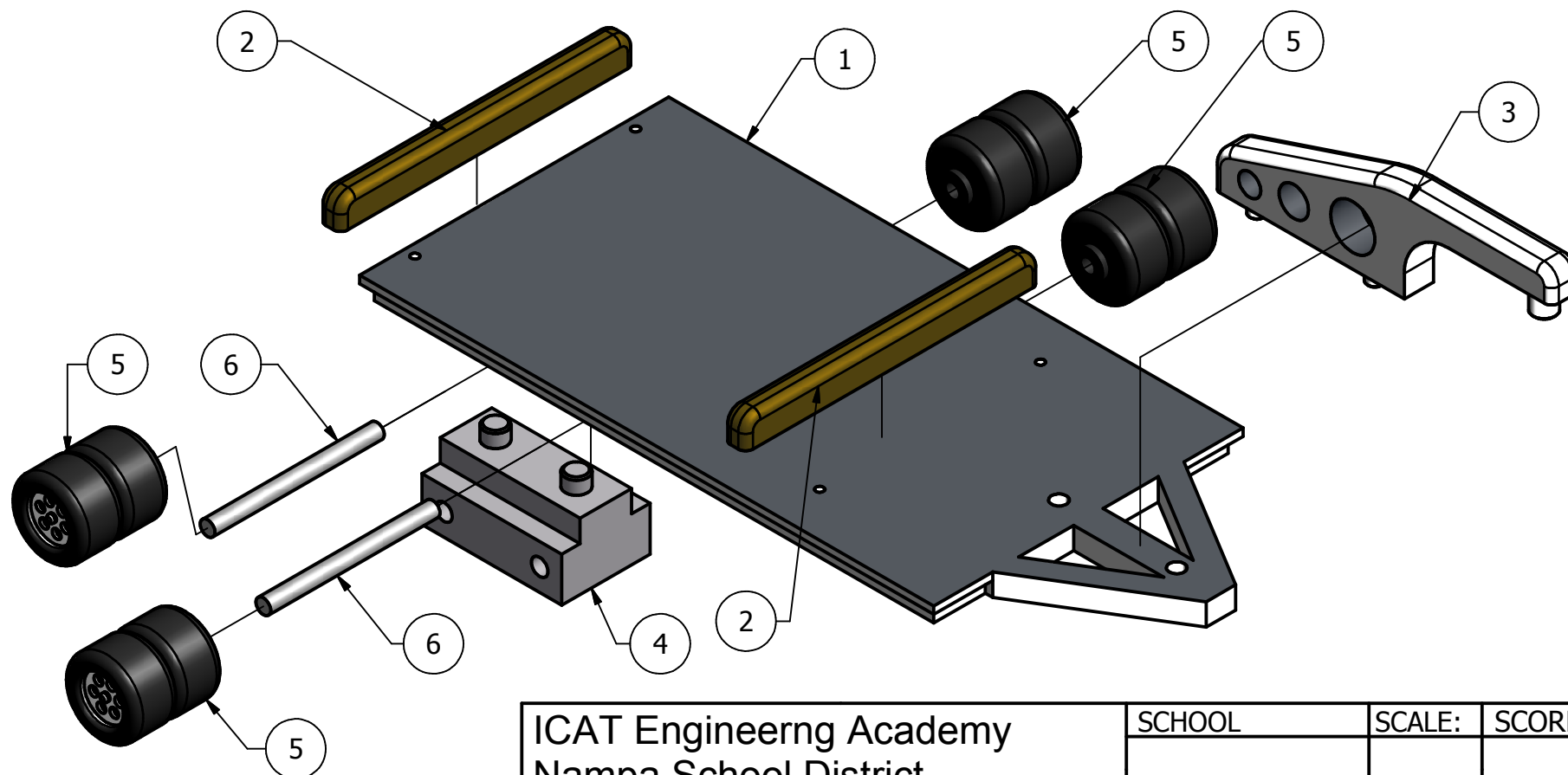


1

PARTS LIST		
ITEM	QTY	PART NUMBER
1	1	TRAILER BASE
2	2	TRAILER RAIL
3	1	TRAILER TOUNGE
4	1	TRAILER WHEEL BASE
5	4	TRAILER WHEEL
6	2	TRAILER AXEL

B

B



A

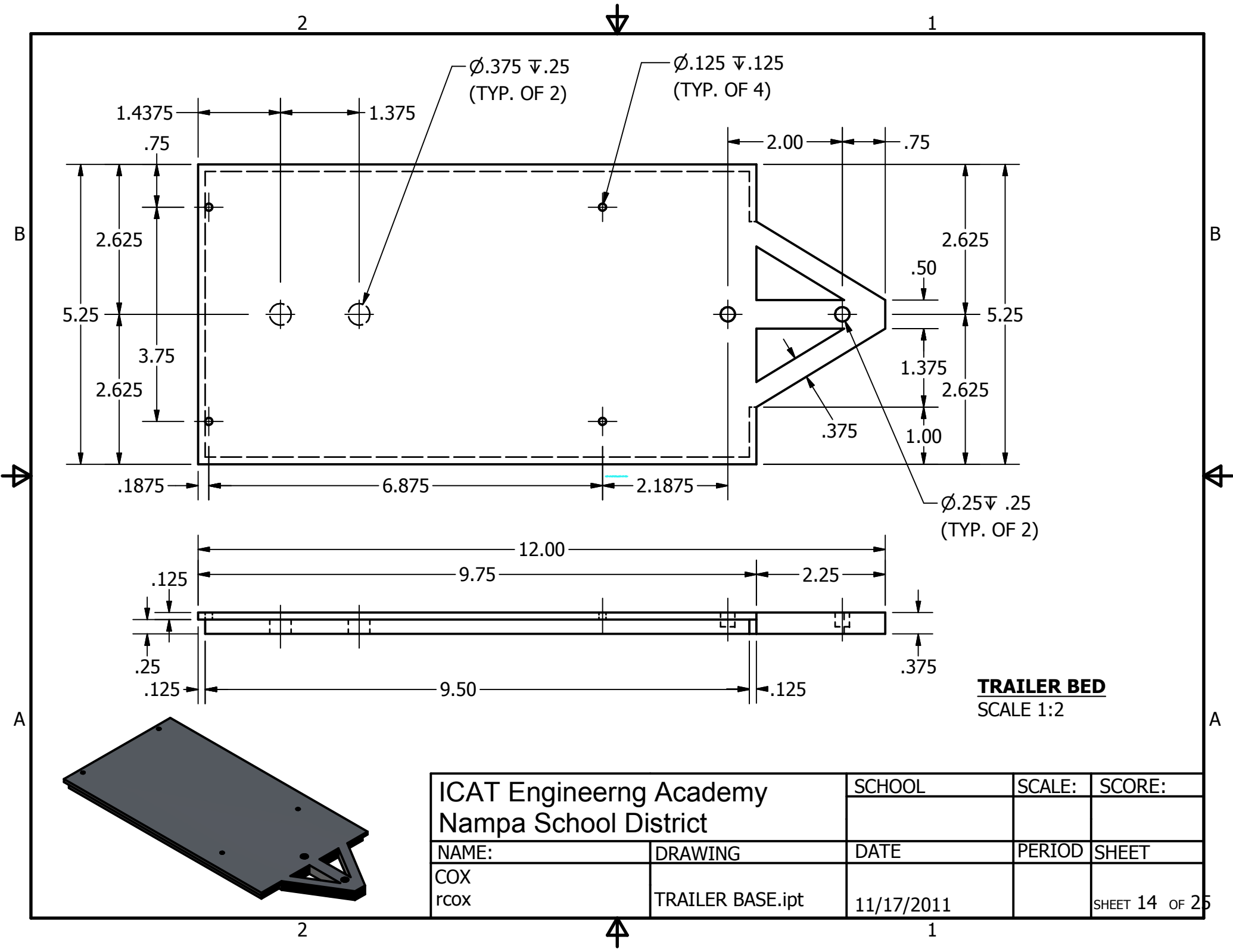
A

ICAT Engineering Academy Nampa School District		SCHOOL	SCALE:	SCORE:
NAME:		DRAWING	DATE	PERIOD
COX rcOX		TRAILER ASSEMBLY.iam	11/17/2011	SHEET 13 OF 25

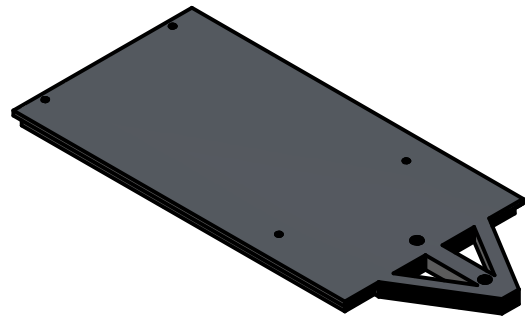
2



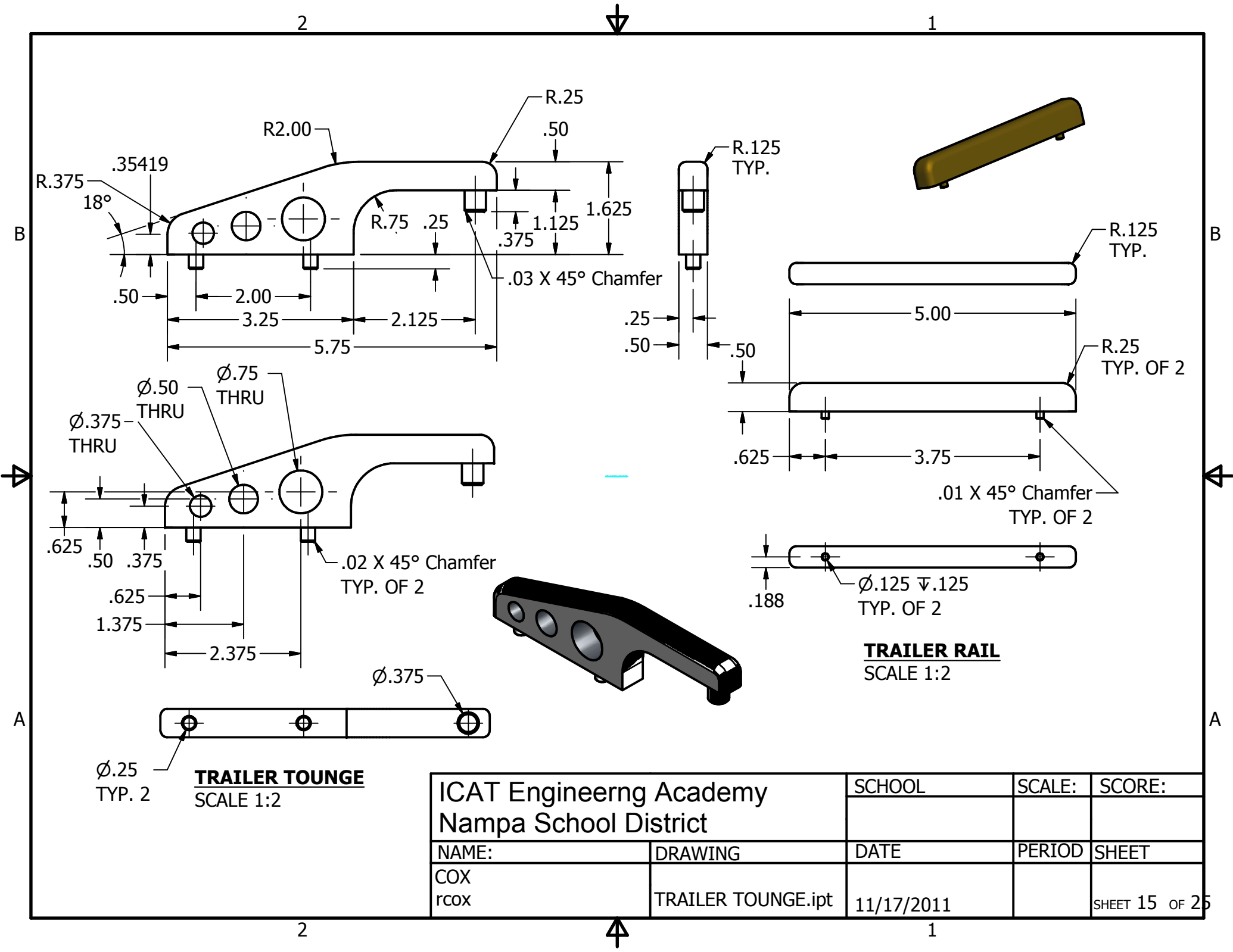
1



TRAILER BED
SCALE 1:2



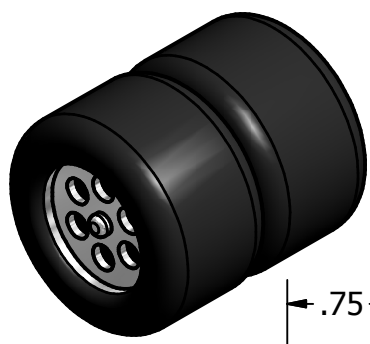
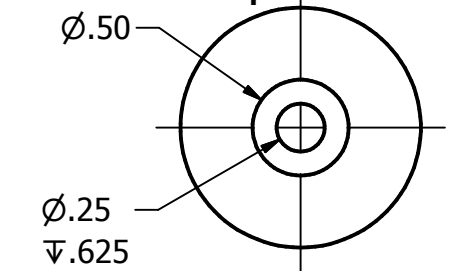
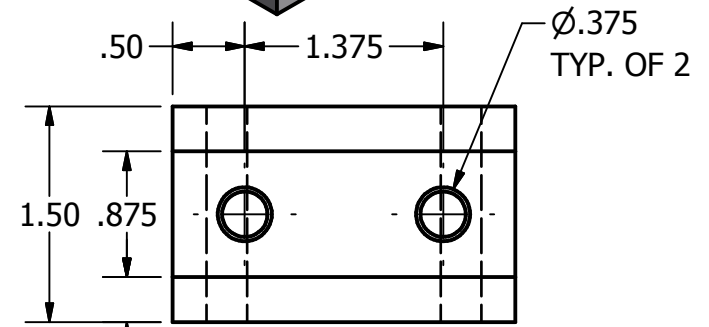
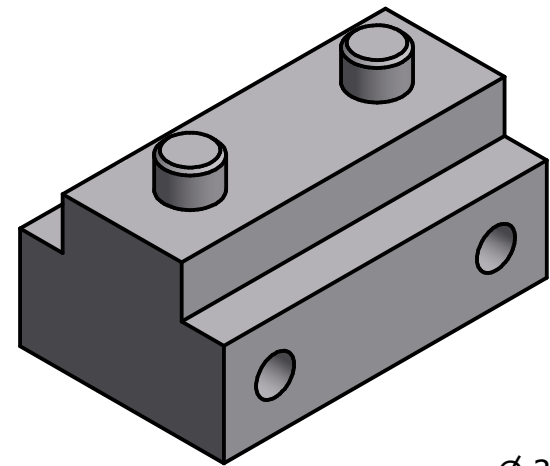
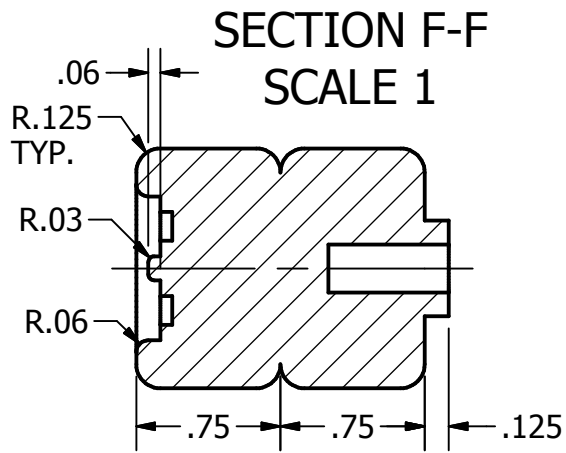
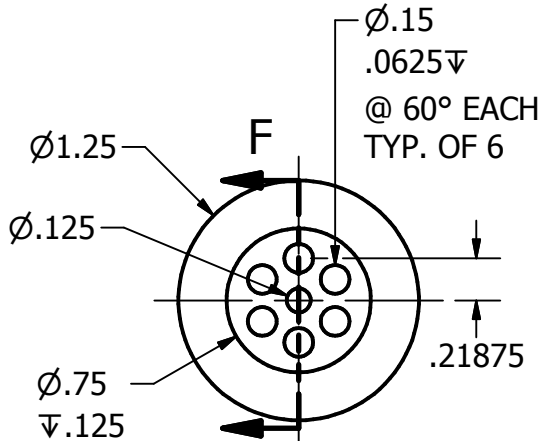
ICAT Engineering Academy Nampa School District		SCHOOL	SCALE:	SCORE:
NAME:	DRAWING	DATE	PERIOD	SHEET
COX rcox	TRAILER BASE.ipt	11/17/2011		SHEET 14 OF 25



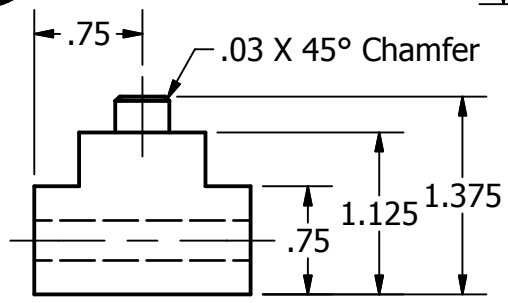
TRAILER TOUNGE
SCALE 1:2

TRAILER RAIL
SCALE 1:2

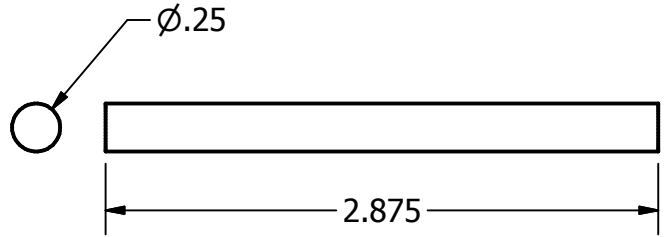
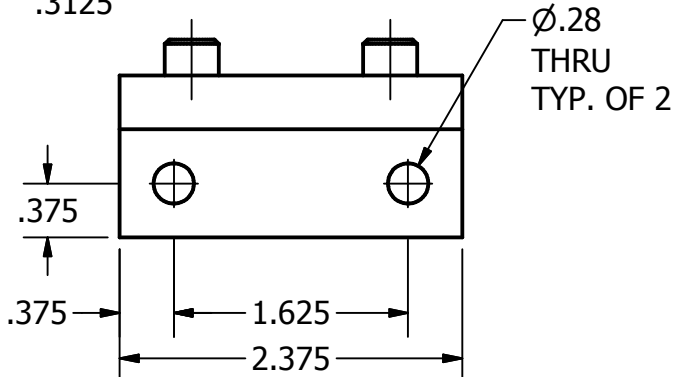
ICAT Engineering Academy Nampa School District		SCHOOL	SCALE:	SCORE:
NAME:	DRAWING	DATE	PERIOD	SHEET
COX rcox	TRAILER TOUNGE.ipt	11/17/2011		SHEET 15 OF 25



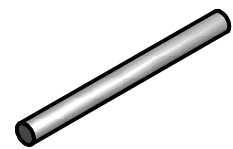
TRAILER WHEEL
SCALE 1:1



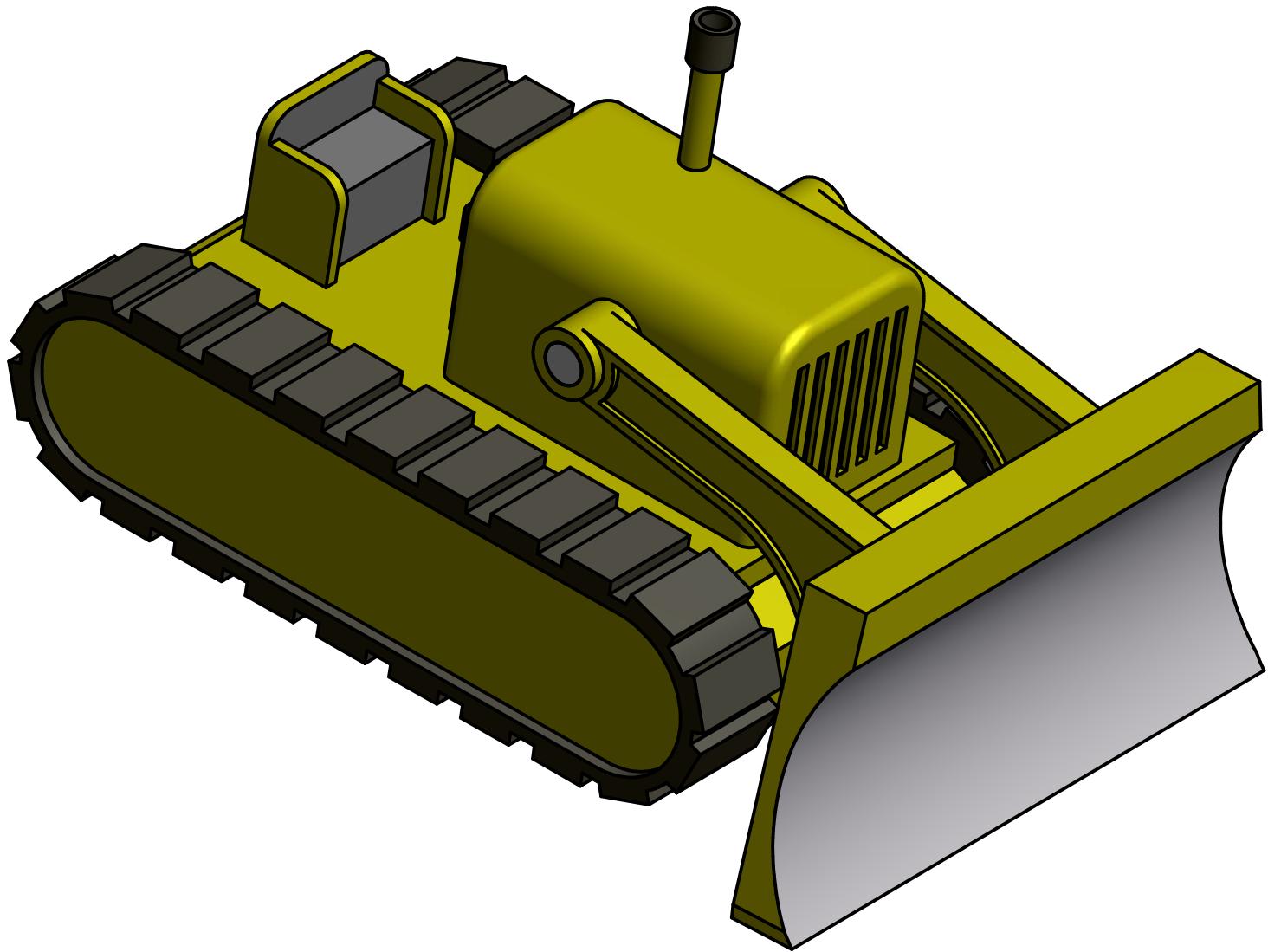
TRAILER WHEEL BASE
SCALE 1:1



TRAILER AXEL
SCALE 1:1

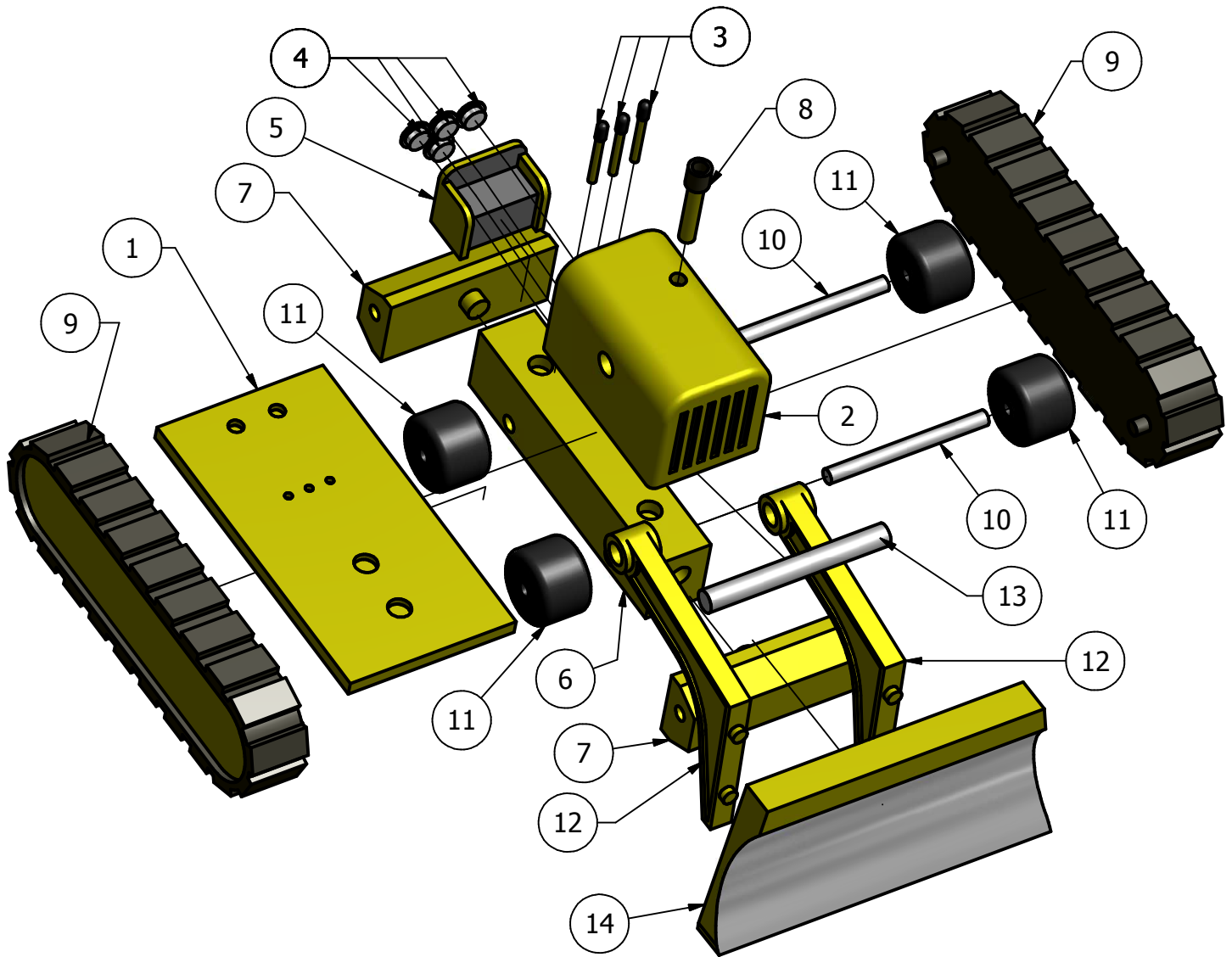


ICAT Engineering Academy Nampa School District		SCHOOL	SCALE:	SCORE:
NAME:	DRAWING	DATE	PERIOD	SHEET
COX	TRAILER WHEEL.ipt	11/17/2011		SHEET 16 OF 25
rcox				

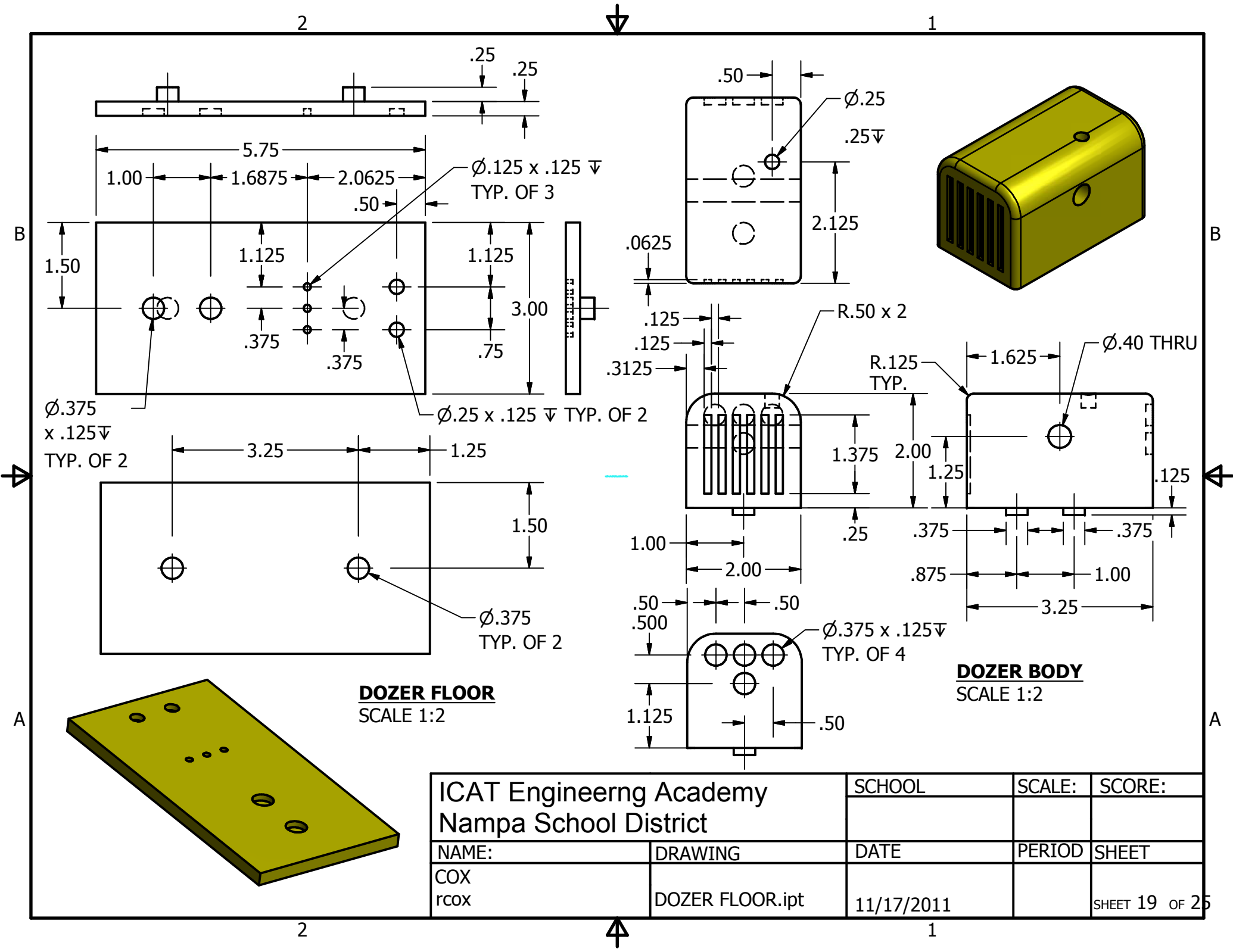


ICAT Engineering Academy Nampa School District		SCHOOL	SCALE:	SCORE:
NAME:	DRAWING	DATE	PERIOD	SHEET
COX RCOX	DOZER ASSEMBLY.iam	11/17/2011		SHEET 17 OF 25

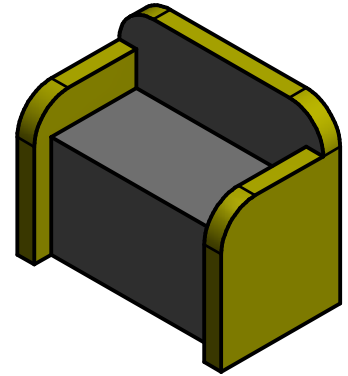
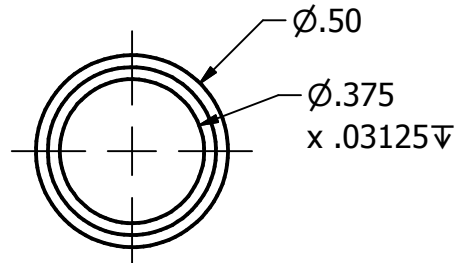
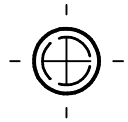
PARTS LIST		
ITEM	QTY	PART NUMBER
1	1	DOZER FLOOR
2	1	DOZER BODY
3	3	DOZERLEVER
4	4	DOZER GAUGE
5	1	DOZER SEAT
6	1	DOZER WHEEL BASE
7	2	DOZER BUMPER
8	1	DOZER STACK
9	2	DOZER TRACK
10	2	DOZER AXEL
11	4	DOZER WHEEL
12	2	DOZER BLADE ARM
13	1	DOZER BLADE AXEL
14	1	DOZER BLADE



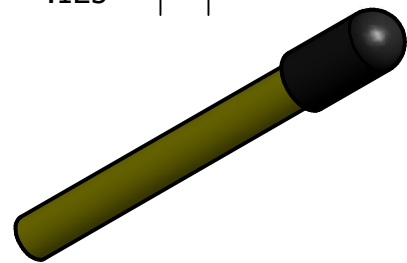
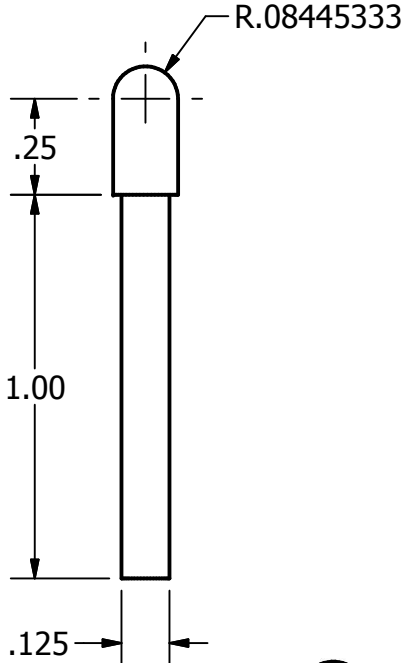
ICAT Engineering Academy		SCHOOL	SCALE:	SCORE:
Nampa School District				
NAME:	DRAWING	DATE	PERIOD	SHEET
COX	DOZER ASSEMBLY.iam	11/17/2011		
RCOX				SHEET 18 OF 25



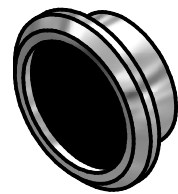
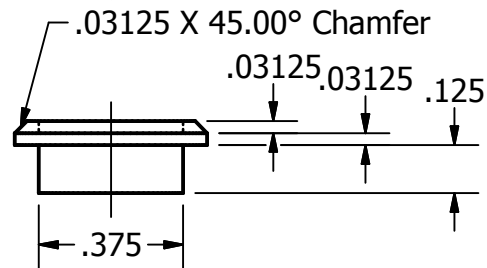
ICAT Engineering Academy Nampa School District		SCHOOL	SCALE:	SCORE:
NAME:	DRAWING	DATE	PERIOD	SHEET
COX rcox	DOZER FLOOR.ipt	11/17/2011		SHEET 19 OF 25



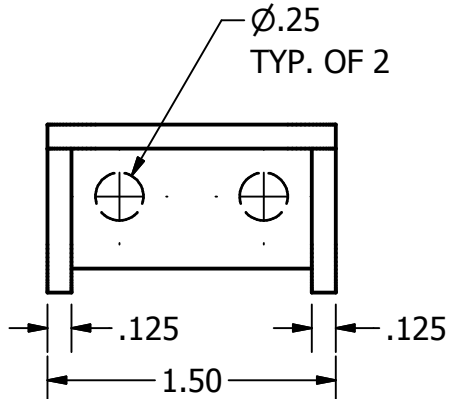
DOZER SEAT
SCALE 1:1



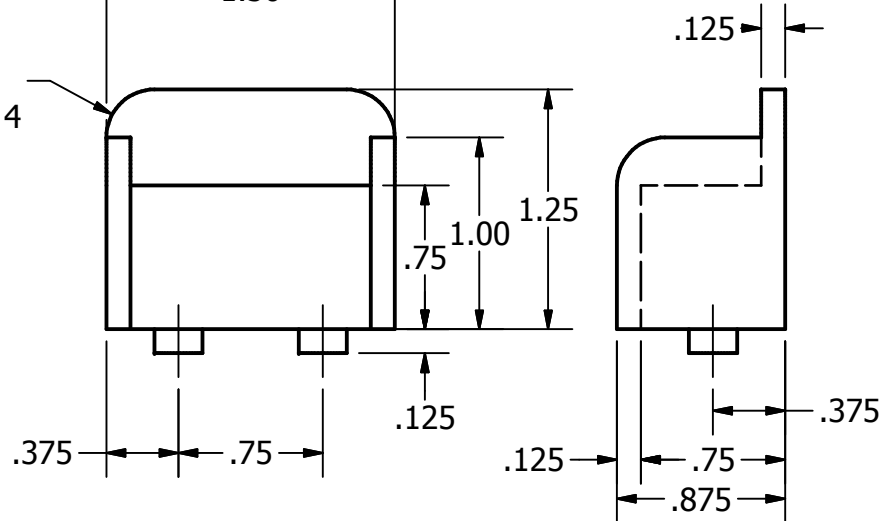
DOZER LEVER
SCALE 2:1



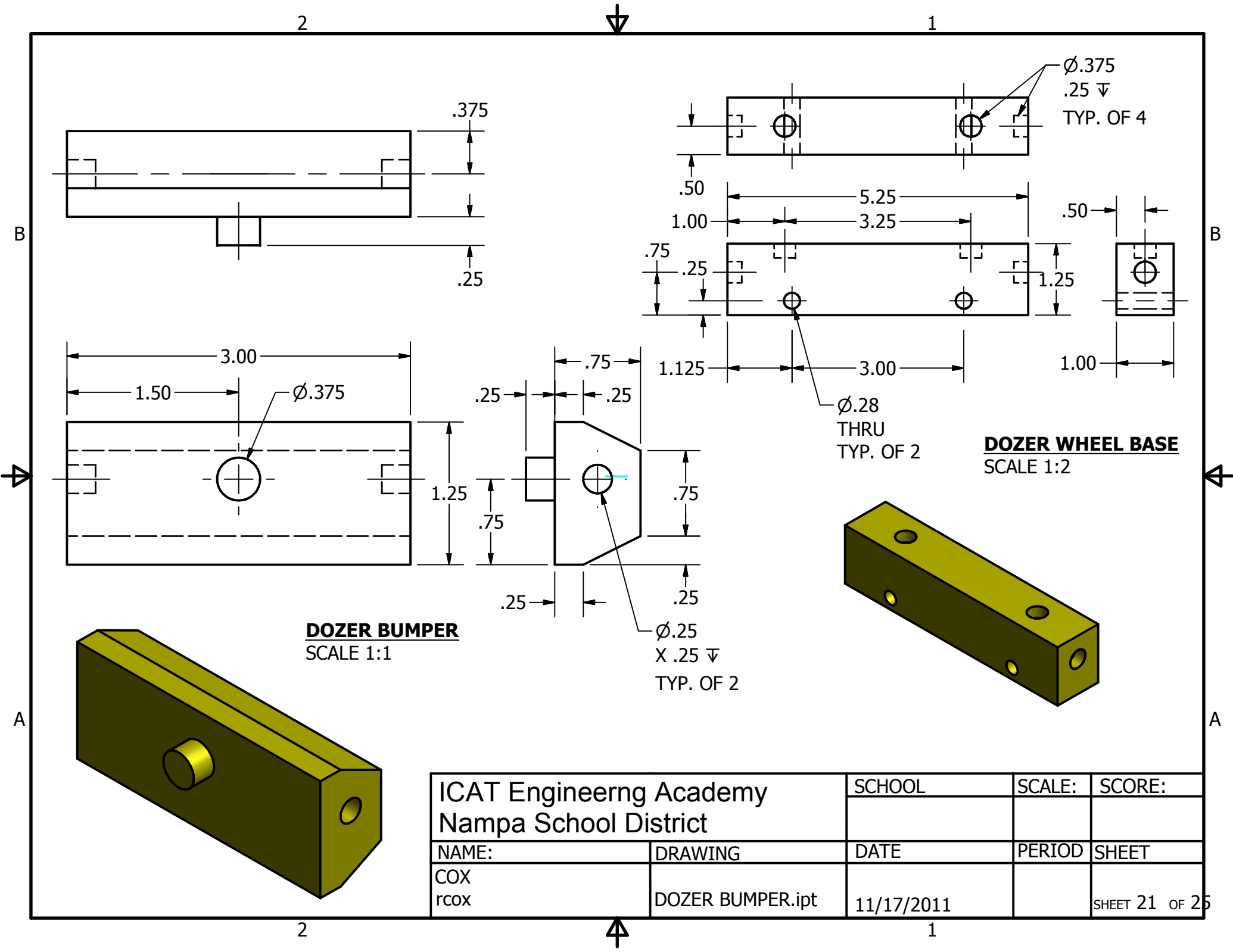
DOZER GAUGE
SCALE 2:1



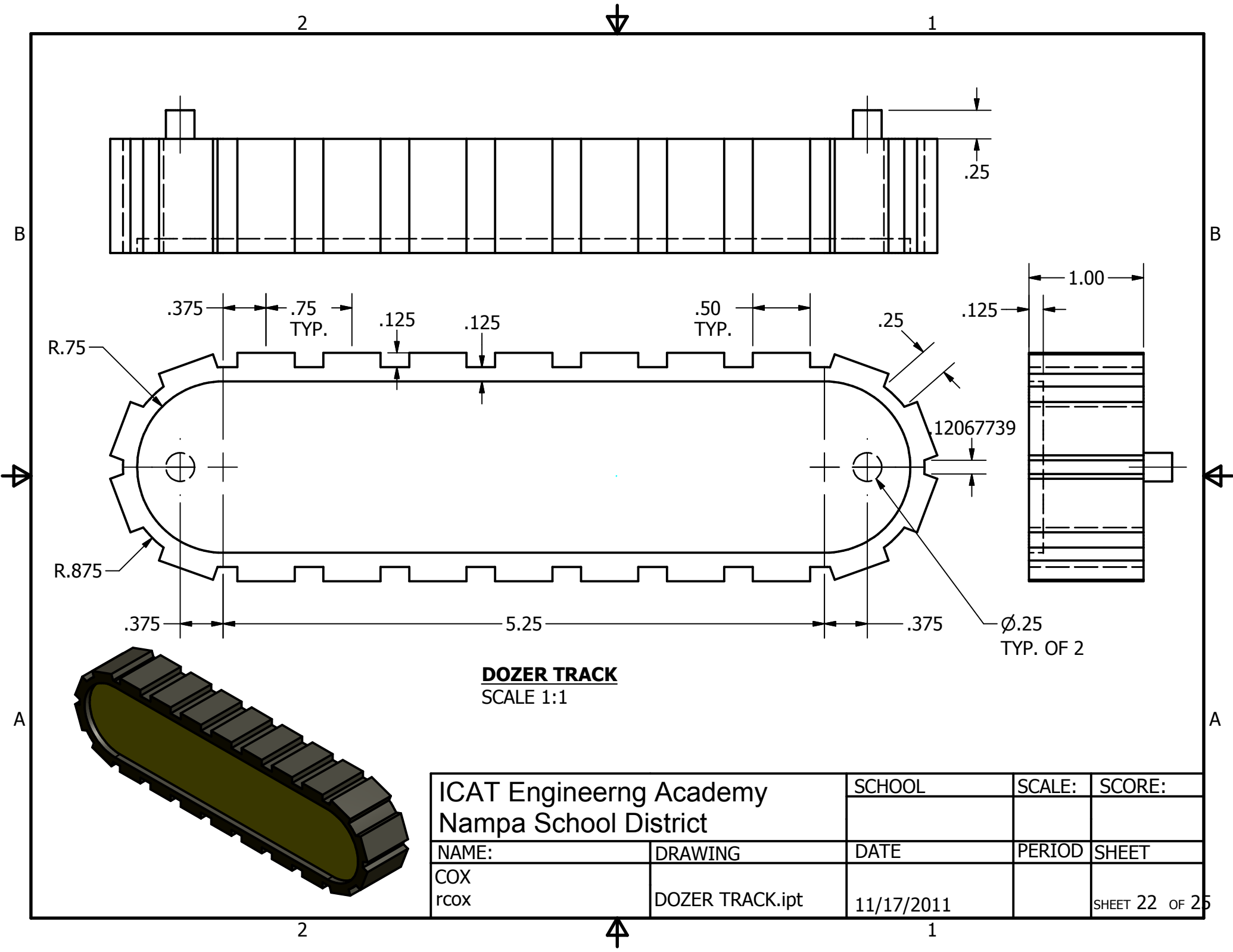
R.25
TYP. OF 4



ICAT Engineering Academy Nampa School District		SCHOOL	SCALE:	SCORE:
NAME:	DRAWING	DATE	PERIOD	SHEET
COX rcox	DOZER LEVER.ipt	11/17/2011		SHEET 20 OF 25



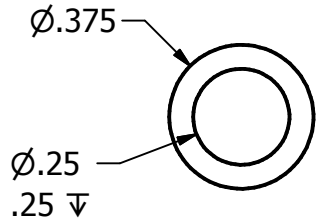
ICAT Engineering Academy Nampa School District		SCHOOL	SCALE:	SCORE:
NAME:	DRAWING	DATE	PERIOD	SHEET
COX rcox	DOZER BUMPER.ipt	11/17/2011		SHEET 21 OF 25



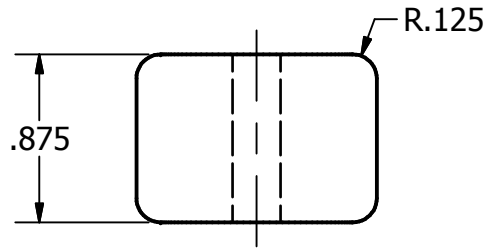
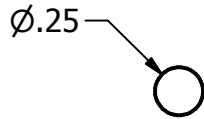
DOZER TRACK
SCALE 1:1

ICAT Engineering Academy Nampa School District		SCHOOL	SCALE:	SCORE:
NAME:	DRAWING	DATE	PERIOD	SHEET
COX rcox	DOZER TRACK.ipt	11/17/2011		SHEET 22 OF 25

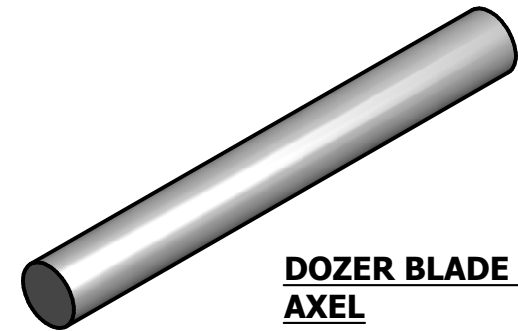
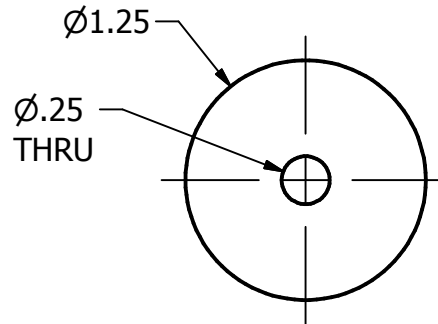
DOZER STACK
SCALE 2:1



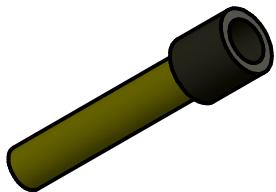
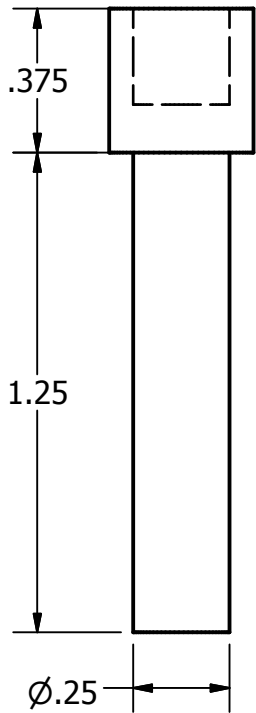
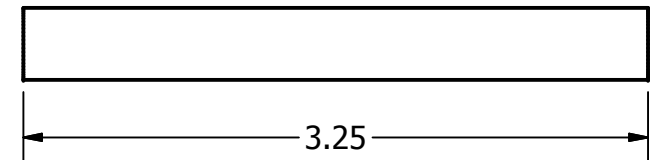
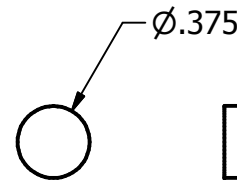
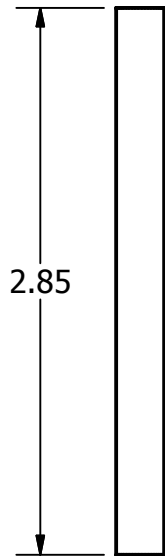
DOZER AXEL
SCALE 1:1



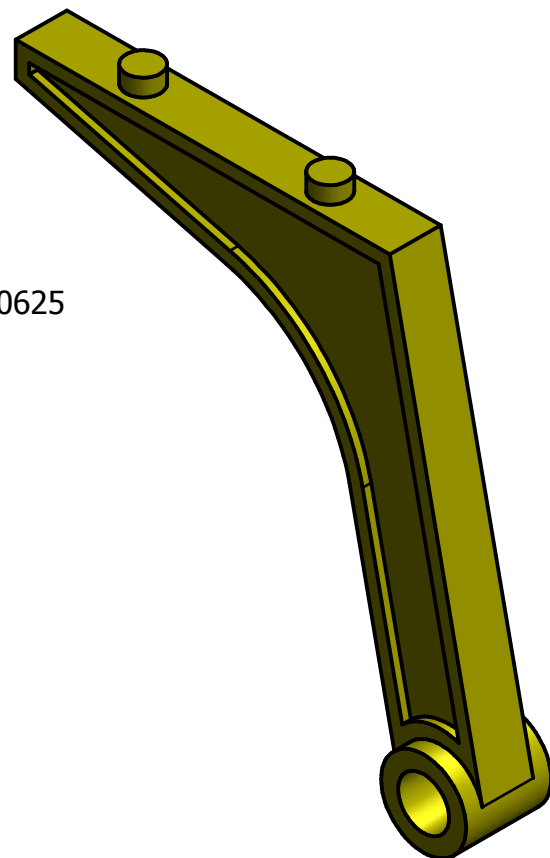
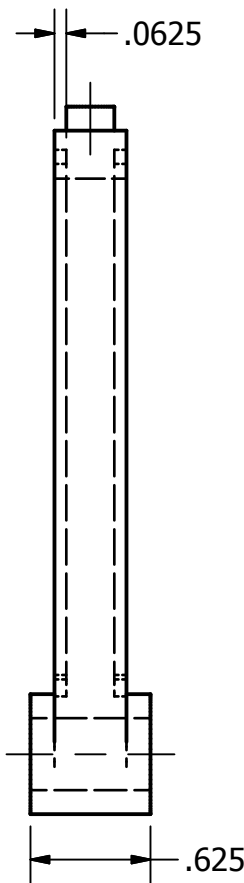
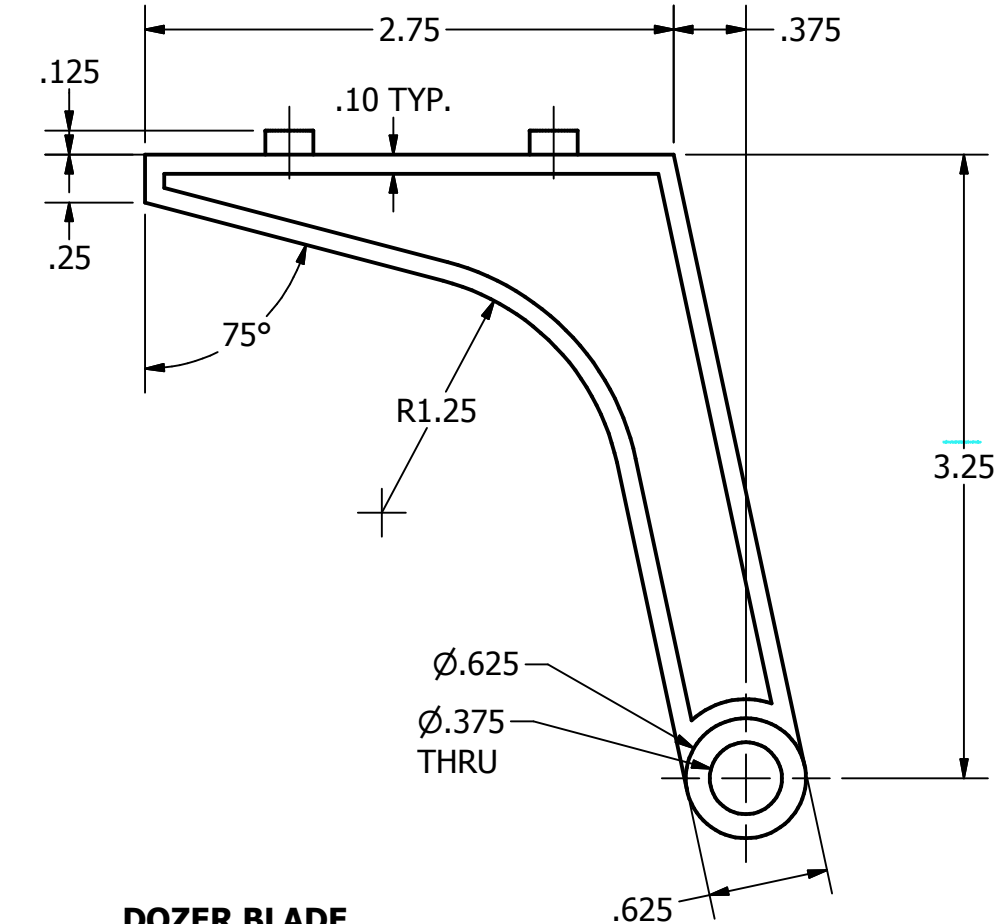
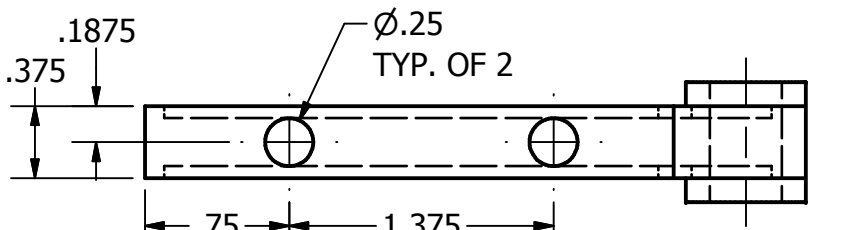
DOZER WHEEL
SCALE 1:1



**DOZER BLADE
AXEL**
SCALE 1:1

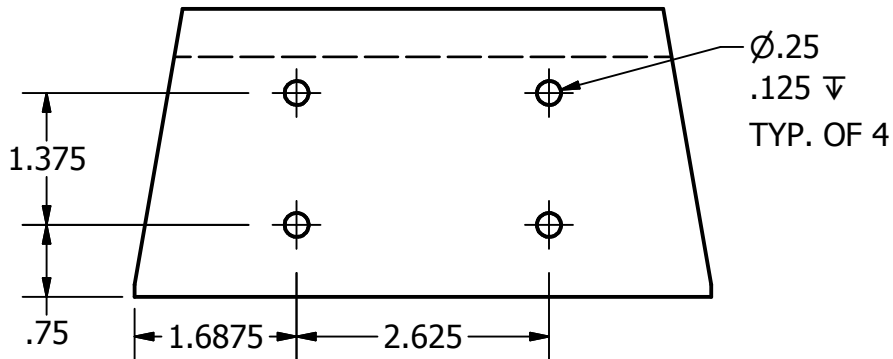
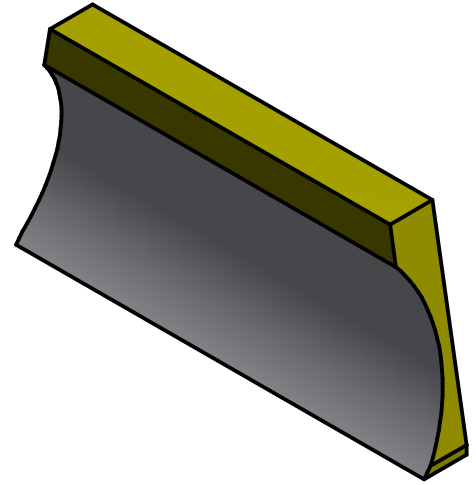
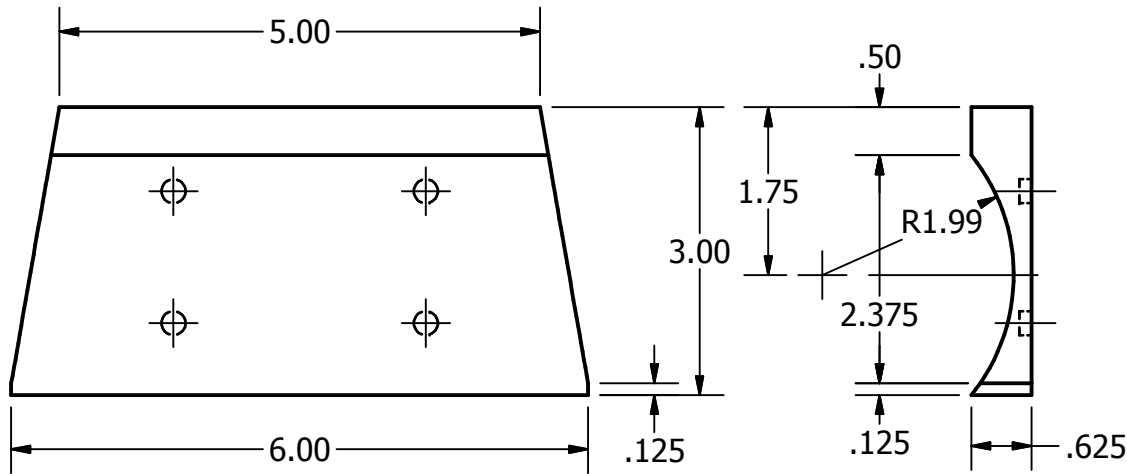
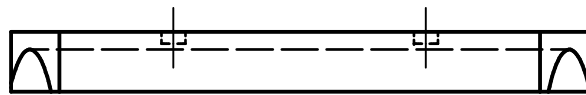


ICAT Engineering Academy Nampa School District		SCHOOL	SCALE:	SCORE:
NAME:	DRAWING	DATE	PERIOD	SHEET
COX rcox	DOZER STACK.ipt	11/17/2011		SHEET 23 OF 25



**DOZER BLADE
ARM**
SCALE 1:1

ICAT Engineering Academy		SCHOOL	SCALE:	SCORE:
Nampa School District				
NAME:	DRAWING	DATE	PERIOD	SHEET
COX rcox	DOZER BLADE ARM.ipt	11/17/2011		SHEET 24 OF 25



DOZER BLADE
SCALE 1:2

ICAT Engineering Academy Nampa School District		SCHOOL	SCALE:	SCORE:
NAME:	DRAWING	DATE	PERIOD	SHEET
COX rcox	DOZER BLADE.ipt	11/17/2011		SHEET 25 OF 25